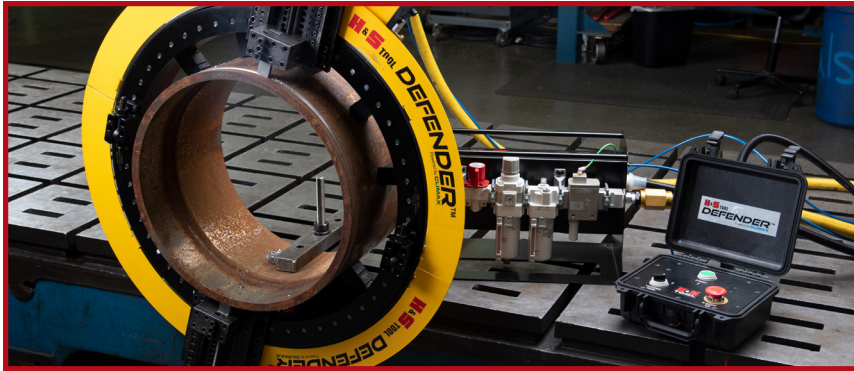


## UNIQUELY POWERFUL. UNIQUELY RELIABLE.



### POWERFUL PERFORMANCE

**Patented outboard drive motor bearing** provides rigid and precise support of the motor shaft – increasing the life of the motor and gears and allowing for quick work of light-wall tubing while providing enough torque for heavy-wall alloy tubes.

**Patented pocket-style motor mount** eliminates motor twisting and ring gear damage, increasing reliability and reducing the total cost of ownership.

**Conventional motors** are used on the front-drive adapters, eliminating the need for a second motor.

**An air caddy assembly** is included with all pneumatic machine packages to extend the life of the motor by keeping it lubricated and free of water.

**Aluminum Body** is rigid and easy to handle, providing the highest strength-to-weight ratio in the industry.

### VERSATILITY

**Part interchangeability** across all models reduces the amount of parts inventory required allowing the operator to swapping from one machine to another in the field, lowering your overall investment and the items that need to be stored or available onsite to your operators.

**The patented split bearing design** provides a quick and accurate setup. The rigid aluminum body users can size down at least 8" with

extension pads for all AFC models and 14" for all BFC models giving the user the unrivaled ability to tackle more applications with one machine.

**The patent-pending Defender Kit™** Flow Control System allows users to control the speed remotely, giving them the ability to slow down for heavy-wall cuts or more precise cutting after machining weld overlay, or speeding up for harder materials with carbide tooling.

**Universal components** – the counterbore head, tool slide, axial feed slide, and flange facing attachments are plug and play on all AFC & BFC split-frame machines.

**No Single Point slide is needed, for heavy wall.** The Split-Frame machines can cut a 4-inch wall without changing the standard cutting setup. Operators only need to change the tooling to a compound bevel and straight severers.

**Stackable extension pads** allow for greater versatility of range on all wall thicknesses. The 3/4 inch (19 mm) locator pad adjustment, minimizes the number of extension pads needed to cover the working range. With the H&S TOOL Split-Frame machines, there is no need to buy or rent different extension pads or feet to hold an aggressive cut.

**Tool Slides** ruggedly built for strength and durability. Four cap screws are all that is required, to securely mount the slides. This dramatically speeds and eases tool slide

mounting and locating. Standard sizes are 1", 2", 3", 4", 7" and 10". Other sizes are available. Out-of-round and axial-feed tool slides are also available.

**Motor Adapters** are available to mount the motor out the front or at a right angle to the frame for work in congested areas. The patent-pending H&S TOOL motor adapters eliminate the need for additional motors and conversion components.

**Counterbore heads with fixed or swivel head design** allows for precise counterbores. These are also mounted directly on tool holders or a crossbar attachment to accurately refinish flanges from 4" to 86" O.D. (101.6 to 2184.4 mm) with surface finishes from 63 to 500 RMS..

### PARTNER IN SAFETY

**The patent-pending Defender Kit™** includes a pneumatic conditioning unit with a low-pressure safety interlock system preventing unintended re-starts after the loss of supplied air pressure and E-stop for quick stops & controlled re-starts.

**Designed with user safety in mind**, the remote auto-feed system keeps operators' hands safe from moving parts and keeps the job running smoothly.

**The Shark Fin™** and Defender ring guards mount cleanly to the clamshell mitigating the pinch points between the rotating slides and motor mount.

# TOOL CONFIGURATIONS



## AFC CLAMSHELL SPLIT-FRAME MACHINES

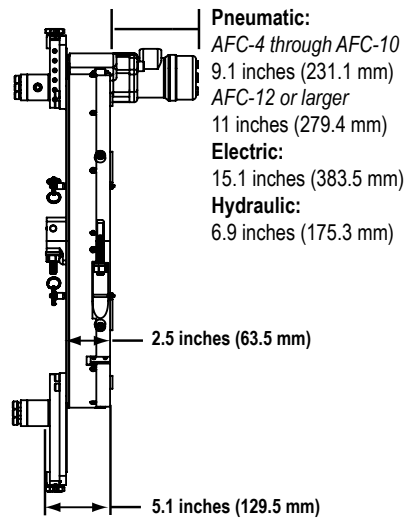
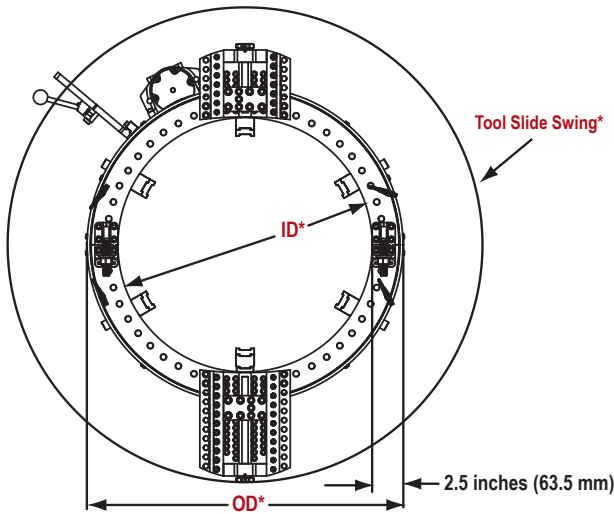
Includes complete machine assembly with or without the DEFENDER™ kit. Includes tripper, extension pads, (2) tool slide assembly, air motor, tool kit, shipping container, and operating manual.



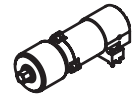
Part Number	Model	Nominal pipe size	DEFENDER™ kit included	Tripper	Extension pad	Tool slide	Air motor
AFC4k-R	AFC4	1 - 4 inches		4-inch	1/2 & 1-inch	1-inch	3800
AFC4Dk-R		(33.4 - 114.3 mm)	✓	(101.6 mm)	(12.7 & 25.4 mm)	(25.4 mm)	
AFC6k-R	AFC6	2 - 6 inches		4-inch	1/2 & 1-inch	2-inch	3800
AFC6Dk-R		(60.3 - 168.3 mm)	✓	(101.6 mm)	(12.7 & 25.4 mm)	(50.8 mm)	
AFC8k-R	AFC8	3 - 8 inches		4-inch	1/2, 1/2, & 1-inch	2-inch	3800
AFC8Dk-R		(88.9 - 219.1 mm)	✓	(101.6 mm)	(12.7, 12.7, & 25.4 mm)	(50.8 mm)	
AFC10k-R	AFC10	4 - 10 inches		4-inch	1/2, 1, & 2 inches	3-inch	3800
AFC10Dk-R		(114.3 - 273.1 mm)	✓	(101.6 mm)	(12.7, 25.4, & 50.8 mm)	(76.2 mm)	
AFC12k-R	AFC12	6 - 12 inches		4-inch	1/2, 1, & 2 inches	3-inch	4800
AFC12Dk-R		(152.4 - 323.9 mm)	✓	(101.6 mm)	(12.7, 25.4, & 50.8 mm)	(76.2 mm)	
AFC14k-R	AFC14	6 - 14 inches		4-inch	1/2, 1, & 2 inches	3-inch	4800
AFC14Dk-R		(168.3 - 355.6 mm)	✓	(101.6 mm)	(12.7, 25.4, & 50.8 mm)	(76.2 mm)	
AFC16k-R	AFC16	8 - 16 inches		4-inch	1/2, 1, & 2 inches	3-inch	4800
AFC16Dk-R		(219.1 - 406.4 mm)	✓	(101.6 mm)	(12.7, 25.4, & 50.8 mm)	(76.2 mm)	
AFC18k-R	AFC18	10 - 18 inches		4-inch	1/2, 1, & 2 inches	3-inch	4800
AFC18Dk-R		(273.1 - 457.2 mm)	✓	(101.6 mm)	(12.7, 25.4, & 50.8 mm)	(76.2 mm)	
AFC20k-R	AFC20	12 - 20 inches		4-inch	1/2, 1, & 2 inches	3-inch	4800
AFC20Dk-R		(323.9 - 508 mm)	✓	(101.6 mm)	(12.7, 25.4, & 50.8 mm)	(76.2 mm)	
AFC24k-R	AFC24	12 - 24 inches		4-inch	1/2, 1, & 2 inches	4-inch	4800
AFC24Dk-R		(323.9 - 609.6 mm)	✓	(101.6 mm)	(12.7, 25.4, & 50.8 mm)	(101.6 mm)	
AFC26k-R	AFC26	14 - 26 inches		4-inch	1/2, 1, & 2 inches	4-inch	4800
AFC26Dk-R		(355.6 - 660.4 mm)	✓	(101.6 mm)	(12.7, 25.4, & 50.8 mm)	(101.6 mm)	
AFC28k-R	AFC28	16 - 28 inches		4-inch	1/2, 1, & 2 inches	4-inch	4800
AFC28Dk-R		(406.4 - 711.2 mm)	✓	(101.6 mm)	(12.7, 25.4, & 50.8 mm)	(101.6 mm)	
AFC30k-R	AFC30	18 - 30 inches		4-inch	1/2, 1, & 2 inches	4-inch	4800
AFC30Dk-R		(457.2 - 762 mm)	✓	(101.6 mm)	(12.7, 25.4, & 50.8 mm)	(101.6 mm)	
AFC32k-R	AFC32	24 - 32 inches (609.6 - 812.8 mm)		4-inch	1/2, 1, & 2 inches	4-inch	4800
AFC32Dk-R			✓	(101.6 mm)	(12.7, 25.4, & 50.8 mm)	(101.6 mm)	
AFC327k-R				7-inch	1/2, 1, & 2 inches	7-inch	4800
AFC32D7k-R			✓	(177.8 mm)	(12.7, 25.4, & 50.8 mm)	(177.8 mm)	
AFC36k-R	AFC36	28 - 36 inches (711.2 - 914.4 mm)		4-inch	1/2, 1, & 2 inches	4-inch	4800
AFC36Dk-R			✓	(101.6 mm)	(12.7, 25.4, & 50.8 mm)	(101.6 mm)	
AFC367k-R				7-inch	1/2, 1, & 2 inches	7-inch	4800
AFC36D7k-R			✓	(177.8 mm)	(12.7, 25.4, & 50.8 mm)	(177.8 mm)	
AFC42k-R	AFC42	34 - 42 inches (863.6 - 1066.8 mm)		4-inch	1/2, 1, & 2 inches	4-inch	4800
AFC42Dk-R			✓	(101.6 mm)	(12.7, 25.4, & 50.8 mm)	(101.6 mm)	
AFC427k-R				7-inch	1/2, 1, & 2 inches	7-inch	4800
AFC42D7k-R			✓	(177.8 mm)	(12.7, 25.4, & 50.8 mm)	(177.8 mm)	

# DIMENSIONS

## AFC | CLAMSHELL (MOUNTING RANGE: 1 - 42 INCHES (33.4 - 1066.8 MM))



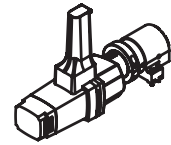
**Pneumatic:**  
 AFC-4 through AFC-10  
 9.1 inches (231.1 mm)  
 AFC-12 or larger  
 11 inches (279.4 mm)  
**Electric:**  
 15.1 inches (383.5 mm)  
**Hydraulic:**  
 6.9 inches (175.3 mm)



Pneumatic



Hydraulic



Electric

\*See below chart for dimensions

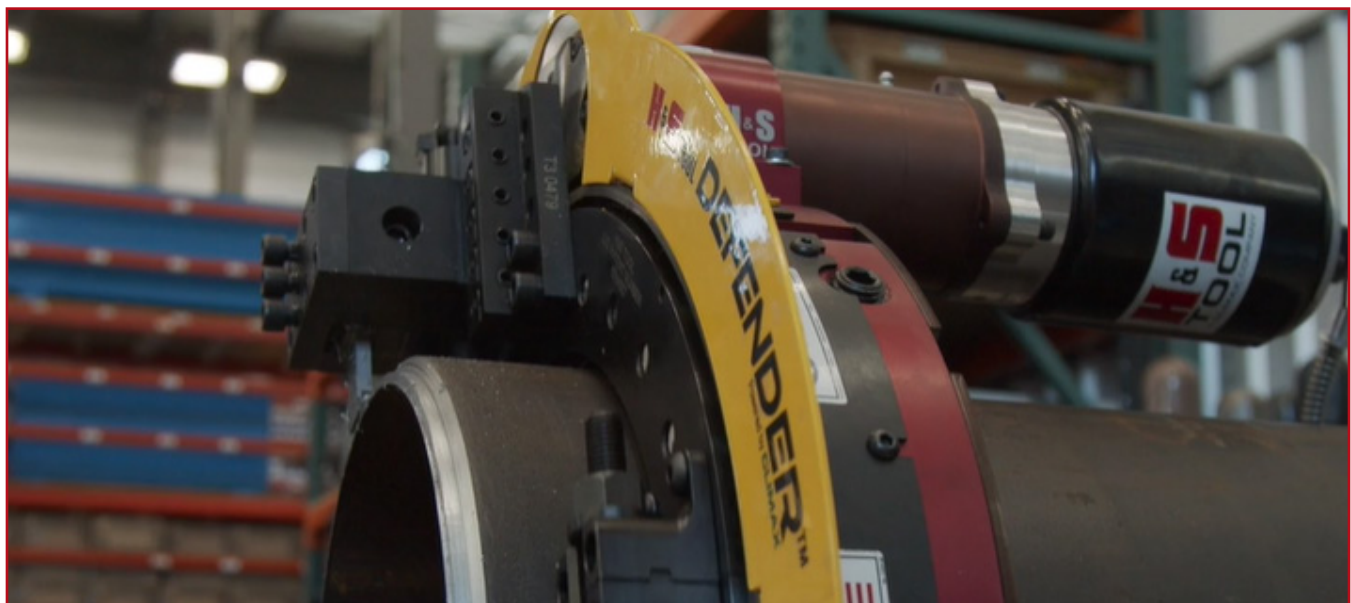
Model	Nom. Pipe Size	OD	ID	Slide Swing					Locator Pads
				1-inch	2-inch	3-inch	4-inch	7-inch	
AFC4	inch 1 - 4 mm 33.4 - 114.3	10.026 254.7	5 127	10.649 270.5	12.869 326.9	14.921 379	16.921 429.8	NA	4
AFC6	inch 2 - 6 mm 60.3 - 168.3	12.150 308.6	7.125 181.0	2.801 325.1	15.021 381.5	17.073 433.7	19.073 484.4	NA	4
AFC8	inch 3 - 8 mm 88.9 - 219.1	14.149 359.4	9.125 231.8	15.149 384.8	17.369 441.2	19.423 493.3	21.421" 544.1	27.370 695.2	4
AFC10	inch 4 - 10 mm 114.3 - 273.1	16.315 414.4	11.250 285.75	17.468 443.7	19.688 500.1	21.740 552.2	23.740 603.0	29.688 754.1	4
AFC12	inch 6 - 12 mm 152.4 - 323.9	18.400 467.4	13.250 336.6	19.014 483.0	21.234 539.3	23.286 591.5	25.286 642.3	31.234 793.3	4
AFC14	inch 6 - 14 mm 168.3 - 355.6	19.650 499.11	14.500 368.3	20.228 513.8	22.448 570.18	24.500 622.3	26.500 673.1	32.449 824.2	4
AFC16	inch 8 - 16 mm 219.1 - 406.4	21.650 549.9	16.500 419.1	22.117 561.8	24.337 618.2	26.389 670.3	28.389 721.1	34.337 872.2	6
AFC18	inch 10 - 18 mm 273.1 - 457.2	23.900 607.1	18.750 476.2	24.540 623.3	26.76 679.7	28.812 731.8	30.812 782.6	36.761 933.7	6
AFC20	inch 8 - 20 mm 219.1 - 508	25.776 654.7	20.750 527.1	26.520 673.6	28.740 730.0	30.792 782.1	32.792 832.9	38.740 984.0	6
AFC24	inch 12 - 24 mm 323.9 - 609.6	29.776 756.3	24.750 628.7	30.439 773.2	32.659 829.5	34.711 881.7	36.711 932.5	42.659 1083.5	10
AFC26	inch 14 - 26 mm 355.6 - 660.4	31.900 810.3	26.750 679.5	32.503 825.6	34.723 882.0	36.775 934.1	38.775 984.9	44.723 1124.5	10
AFC28	inch 16 - 28 mm 406.4 - 711.2	33.900 861.1	28.750 730.3	34.558 877.8	36.778 1620.0	38.830 986.3	40.830 1037.1	46.778 1188.2	10
AFC30	inch 18 - 30 mm 457.2 - 762	36.150 918.5	31.000 781.1	36.861 981.7	39.081 1074.4	41.133 1044.8	43.133 1095.6	49.082 1246.7	10
AFC32	inch 20 - 32 mm 508 - 812.8	38.150 969.0	33 838.2	38.902 988.1	41.122 1044.5	43.166 1096.4	45.174 1147.4	51.123 1298.5	10
AFC36	inch 24 - 36 mm 609.6 - 914.4	42.150 1070.6	37.000 939.8	42.978 1091.6	45.198 1148.0	47.250 1200.2	49.250 1251.0	55.199 1402.1	10
AFC42	inch 30 - 42 mm 762 - 1066.8	48.150 1223.0	43.000 1092.2	49.049 1245.8	51.269 1302.2	53.321 1354.4	55.321 1405.2	61.270 1556.3	12

# SPECIFICATIONS



The AFC | Clamshell stackable extension pads allow for greater versatility of range on all wall thicknesses. The 3/4 inch (19 mm) locator pad adjustment, minimizes the number of extension pads needed to cover the working range. With the H&S TOOL Clamshell machines, there is no need to buy or rent different extension pads or feet to hold an aggressive cut.

Model		Standard Range	Locator Extension Coverage							4-inch	
			1/2-inch	1-inch	1.5-inch	2-inch	2.5-inch	3-inch	3.5-inch		
AFC4	inch mm	5.000 - 3.500 127 - 88.9	4.000 - 2.500 101.6 - 63.5	3.000 - 1.500 76.2 - 38.1	2.000 - 0.500 50.8 - 12.7						
AFC6	inch mm	7.125 - 5.625 181.0 - 142.9	6.125 - 4.625 155.6 - 117.5	5.125 - 3.625 130.2 - 92.1	4.125 - 2.625 104.8 - 66.7	3.125 - 1.625 79.4 - 41.3					
AFC8	inch mm	9.125 - 7.625 231.8 - 193.7	8.125 - 6.625 206.4 - 168.3	7.125 - 5.625 181.0 - 142.9	6.125 - 4.625 155.6 - 117.5	5.125 - 3.625 130.2 - 92.1	4.125 - 2.625 104.8 - 66.7				
AFC10	inch mm	11.250 - 9.750 285.8 - 247.7	10.250 - 8.750 260.4 - 222.3	9.250 - 7.750 235.0 - 196.9	8.250 - 6.750 209.6 - 171.5	7.250 - 5.750 184.2 - 146.1	6.250 - 4.750 158.8 - 120.7	5.250 - 3.750 133.4 - 95.3			
AFC12	inch mm	13.250 - 11.750 336.6 - 298.5	12.250 - 10.750 311.2 - 273.1	11.250 - 9.750 285.8 - 247.7	10.250 - 8.750 260.4 - 222.3	9.250 - 7.750 235.0 - 196.9	8.250 - 6.750 209.6 - 171.5	7.250 - 5.750 184.2 - 146.1	6.250 - 4.750 158.8 - 120.7		
AFC14	inch mm	14.500 - 13.000 368.3 - 330.2	13.500 - 12.000 342.9 - 304.8	12.500 - 11.000 317.5 - 279.4	11.500 - 10.000 292.1 - 254.0	10.500 - 9.000 266.7 - 228.6	9.500 - 8.000 241.3 - 203.2	8.500 - 7.000 215.9 - 177.8	7.500 - 6.000 190.5 - 152.4	6.500 - 5.000 165.1 - 127.0	
AFC16	inch mm	16.500 - 15.000 419.1 - 381.0	15.500 - 14.000 393.7 - 355.6	14.500 - 13.000 368.3 - 330.2	13.500 - 12.000 342.9 - 304.8	12.500 - 11.000 317.5 - 279.4	11.500 - 10.000 292.1 - 254.0	10.500 - 9.000 266.7 - 228.6	9.500 - 8.000 241.3 - 203.2	8.500 - 7.000 215.9 - 177.8	7.500 - 6.000 190.5 - 152.4
AFC18	inch mm	18.750 - 17.250 476.3 - 438.2	17.750 - 16.250 450.9 - 412.8	16.750 - 15.250 425.5 - 387.4	15.750 - 14.250 400.1 - 362.0	14.750 - 13.250 374.7 - 336.6	13.750 - 12.250 349.3 - 311.2	12.750 - 11.250 323.9 - 285.8	11.750 - 10.250 298.5 - 260.4	10.750 - 9.250 273.1 - 235.0	9.750 - 8.250 247.7 - 209.6
AFC20	inch mm	20.750 - 19.250 527.1 - 489.9	19.750 - 18.250 501.7 - 463.6	18.750 - 17.250 476.3 - 438.2	17.750 - 16.250 450.9 - 412.8	16.750 - 15.250 425.5 - 387.4	15.750 - 14.250 400.1 - 362.1	14.750 - 13.250 374.7 - 336.6	13.750 - 12.250 349.3 - 311.2	12.750 - 11.250 323.9 - 285.8	11.750 - 10.250 298.5 - 260.4
AFC24	inch mm	24.750 - 23.250 628.7 - 590.6	23.750 - 22.250 603.3 - 565.2	22.750 - 21.250 577.9 - 539.8	21.750 - 20.250 552.5 - 514.4	20.750 - 19.250 527.1 - 489.0	19.750 - 18.250 501.7 - 463.6	18.750 - 17.250 476.3 - 438.2	17.750 - 16.250 450.9 - 362.0	16.750 - 15.250 425.5 - 387.4	15.750 - 14.250 400.1 - 362.0
AFC26	inch mm	26.750 - 25.250 679.5 - 641.4	25.750 - 24.250 654.0 - 616.0	24.750 - 23.250 628.65 - 590.6	23.750 - 22.250 603.25 - 565.2	22.750 - 21.250 577.9 - 539.8	21.750 - 20.250 552.5 - 514.4	20.750 - 19.250 527.1 - 489.0	19.750 - 18.250 501.7 - 463.6	18.750 - 17.250 476.3 - 438.2	17.750 - 16.250 450.9 - 362.0
AFC28	inch mm	28.750 - 27.250 730.3 - 692.2	27.750 - 26.250 704.9 - 666.8	26.750 - 25.250 679.5 - 641.4	25.750 - 24.250 654.04 - 616.0	24.750 - 23.250 628.7 - 590.6	23.750 - 22.250 603.3 - 565.2	22.750 - 21.250 577.9 - 539.8	21.750 - 20.250 552.5 - 514.4	20.750 - 19.250 527.1 - 489.0	19.750 - 18.250 501.7 - 463.6
AFC30	inch mm	31.000 - 29.500 787.4 - 749.3	30.000 - 28.500 762.0 - 723.9	29.000 - 27.500 736.6 - 698.5	28.000 - 26.500 711.20 - 673.1	27.000 - 25.500 685.8 - 647.7	26.000 - 24.500 660.4 - 622.3	25.000 - 23.500 635.00 - 596.9	24.000 - 22.500 609.6 - 571.5	23.000 - 21.500 584.2 - 546.1	22.000 - 20.500 558.8 - 520.7
AFC32	inch mm	33.000 - 31.500 838.2 - 800.1	32.000 - 30.500 812.8 - 774.7	31.000 - 29.500 787.4 - 749.3	30.000 - 28.500 762.0 - 723.9	29.000 - 27.500 736.6 - 698.5	28.000 - 26.500 711.2 - 673.1	27.000 - 25.500 685.8 - 647.7	26.000 - 24.500 660.4 - 622.3	25.000 - 23.500 635.0 - 596.9	24.000 - 22.500 609.6 - 571.5
AFC36	inch mm	37.000 - 35.500 939.8 - 901.7	36.000 - 34.500 914.4 - 876.3	35.000 - 33.500 889.0 - 850.9	34.000 - 32.500 863.6 - 825.5	33.000 - 31.500 838.2 - 800.1	32.000 - 30.500 812.8 - 774.7	31.000 - 29.500 787.4 - 749.3	30.000 - 28.500 762.0 - 723.9	29.000 - 27.500 736.6 - 698.5	28.000 - 26.500 711.2 - 673.1
AFC42	inch mm	43.000 - 41.500 1092.2 - 1054.1	42.000 - 40.500 1066.8 - 1028.7	41.000 - 39.500 1041.4 - 1003.3	40.000 - 38.500 1016.0 - 977.9	39.000 - 37.500 990.6 - 952.5	38.000 - 36.500 965.2 - 927.1	37.000 - 35.500 939.8 - 901.7	36.000 - 34.500 914.4 - 876.3	35.000 - 33.500 889.0 - 850.9	34.000 - 32.500 863.6 - 825.5



All dimensions should be considered reference. Contact your H&S TOOL Representative for precision dimensions. Specifications are subject to change without notice. Actual results for test data may vary depending on setup, machining conditions and machine maintenance. There are no systems or components on this machine that are capable of producing hazardous EMC, UV or other radiation hazards. The machine does not use lasers nor does it create hazardous materials such as gasses or dust.

# TOOL CONFIGURATIONS

## BFC CLAMHELL SPLIT-FRAME MACHINES

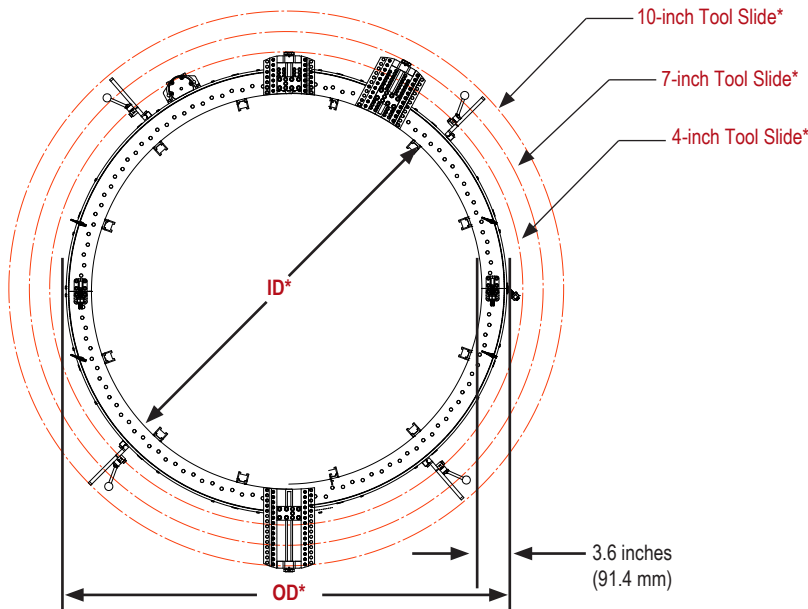
Includes complete machine assembly with DEFENDER™ kit, extension pads, tool slide assembly, air motor, tool kit, Clamshell box, and operating manual.



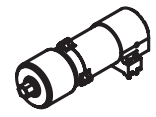
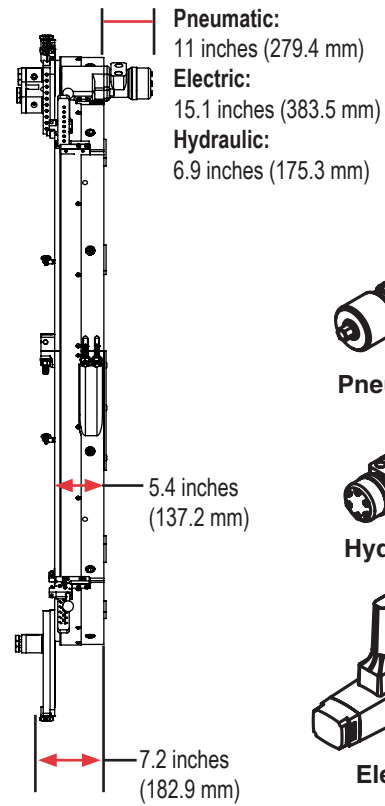
Part Number	Model	Nominal pipe size	DEFENDER™ kit included	Tripper	Extension pad	Tool slide	Air motor
BFC48k-R	BFC48	40 - 48 inches (1016 - 1219.2 mm)		4-inch (101.6 mm)	1/2, 1, & 2 inches (12.7, 25.4, & 50.8 mm)	4-inch (101.6 mm)	4800
BFC48Dk-R			✓				
BFC48D7k-R		34 - 48 inches (863.6 - 1219.2 mm)		7-inch (177.8 mm)	1/2, 1, 2, & 3 inches (12.7, 25.4, 50.8, & 76.2 mm)	7-inch (177.8 mm)	
BFC48D10k-R			✓	10-inch (254 mm)		10-inch (254 mm)	
BFC56k-R	BFC56	48 - 56 inches (1219.2 - 1422.4 mm)		4-inch (101.6 mm)	1/2, 1, & 2 inches (12.7, 25.4, & 50.8 mm)	4-inch (101.6 mm)	4800
BFC56Dk-R			✓				
BFC56D7k-R		42 - 56 inches (1066.8 - 1422.4 mm)		7-inch (177.8 mm)	1/2, 1, 2, & 3 inches (12.7, 25.4, 50.8, & 76.2 mm)	7-inch (177.8 mm)	
BFC56D10k-R			✓	10-inch (254 mm)		10-inch (254 mm)	
BFC66k-R	BFC66	58 - 66 inches (1473.2 - 1676.4 mm)		4-inch (101.6 mm)	1/2, 1, & 2 inches (12.7, 25.4, & 50.8 mm)	4-inch (101.6 mm)	4800
BFC66Dk-R			✓				
BFC66D7k-R		52 - 66 inches (1320.8 - 1676.4 mm)		7-inch (177.8 mm)	1/2, 1, 2, & 3 inches (12.7, 25.4, 50.8, & 76.2 mm)	7-inch (177.8 mm)	
BFC66D10k-R			✓	10-inch (254 mm)		10-inch (254 mm)	
BFC72k-R	BFC72	64 - 72 inches (1625.6 - 1828.8 mm)		4-inch (101.6 mm)	1/2, 1, & 2 inches (12.7, 25.4, & 50.8 mm)	4-inch (101.6 mm)	4800
BFC72Dk-R			✓				
BFC72D7k-R		58 - 72 inches (1473.2 - 1828.8 mm)		7-inch (177.8 mm)	1/2, 1, 2, & 3 inches (12.7, 25.4, 50.8, & 76.2 mm)	7-inch (177.8 mm)	
BFC72D10k-R			✓	10-inch (254 mm)		10-inch (254 mm)	
BFC86k-R	BFC86	78 - 86 inches (1981.2 - 2184.4 mm)		4-inch (101.6 mm)	1/2, 1, & 2 inches (12.7, 25.4, & 50.8 mm)	4-inch (101.6 mm)	4800
BFC86Dk-R			✓				
BFC86D7k-R		72 - 86 inches (1828.8 - 2184.4 mm)		7-inch (177.8 mm)	1/2, 1, 2, & 3 inches (12.7, 25.4, 50.8, & 76.2 mm)	7-inch (177.8 mm)	
BFC86D10k-R			✓	10-inch (254 mm)		10-inch (254 mm)	

# DIMENSIONS

## BFC | CLAMSHELL DIMENSIONS



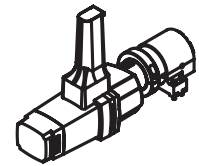
\*See below chart for dimensions



**Pneumatic**



**Hydraulic**



**Electric**

Model		Nom. Pipe Size	OD	ID	Slide Swing			Locator Pads
					4-inch	7-inch	10-inch	
BFC48	inch	34 - 48	56.420	49.250	61.507	67.457	73.455	12
	mm	863.6 - 1219.2	1433.1	1251.0	1562.3	1713.4	1865.8	
BFC56	inch	42 - 56	64.420	57.250	69.229	75.179	81.177	12
	mm	1066.8 - 1422.4	1636.3	1454.2	1758.4	1909.5	2061.9	
BFC66	inch	52 - 66	74.754	67.500	79.671	85.621	91.619	12
	mm	1320.8 - 1676.4	1898.8	1714.5	2023.6	2174.8	2327.1	
BFC72	inch	58 - 72	80.904	73.500	85.672	91.608	97.626	12
	mm	1473.2 - 1828.8	2054.9	1866.9	2176.0	2326.8	2479.7	
BFC86	inch	72 - 86	94.904	87.500	99.671	105.621	111.618	12
	mm	1828.8 - 2184.4	2410.5	2222.5	2531.6	2682.7	2835.1	

# SPECIFICATIONS



**The BFC | Clamshell stackable extension pads** allow for greater versatility of range on all wall thicknesses. The ¾ inch (19 mm) locator pad adjustment, minimizes the number of extension pads needed to cover the working range. With the H&S TOOL Clamshell machines, there is no need to buy or rent different extension pads or feet to hold an aggressive cut.

Model		Standard Range	Locator Extension Coverage							
			1/2-inch	1-inch	1.5-inch	2-inch	2.5-inch	3-inch	3.5-inch	
BFC48	inch	49.250 - 47.750	48.250 - 46.750	47.250 - 45.750	46.250 - 44.750	45.250 - 43.750	44.250 - 42.750	43.250 - 41.750	42.250 - 40.750	
	mm	1251.0 - 1212.9	1225.6 - 1187.5	1200.2 - 1162.1	1174.8 - 1136.7	1149.4 - 1111.3	1124.0 - 1085.9	1098.6 - 1060.5	1073.2 - 1035.1	
BFC56	inch	57.250 - 55.750	56.250 - 54.750	55.250 - 53.750	54.250 - 52.750	53.250 - 51.750	52.250 - 50.750	51.250 - 49.750	50.250 - 48.750	
	mm	1454.2 - 1416.1	1428.8 - 1390.7	1403.4 - 1365.3	1378.0 - 1339.9	1352.6 - 1314.5	1327.2 - 1289.1	1301.8 - 1263.7	1276.4 - 1238.3	
BFC66	inch	67.500 - 66.000	66.500 - 65.000	65.500 - 64.000	64.500 - 63.000	63.500 - 62.000	62.500 - 61.000	61.500 - 60.000	60.500 - 59.000	
	mm	1714.5 - 1676.4	1689.1 - 1651.0	1663.7 - 1625.6	1638.3 - 1600.2	1612.9 - 1574.8	1587.5 - 1549.4	1562.1 - 1524.0	1536.7 - 1498.6	
BFC72	inch	73.500 - 72.000	72.500 - 71.000	71.500 - 70.000	70.500 - 69.000	69.500 - 68.000	68.500 - 67.000	67.500 - 66.000	66.500 - 65.000	
	mm	1866.9 - 1828.8	1841.5 - 1803.4	1816.1 - 1778.0	1790.7 - 1752.6	1765.3 - 1727.2	1739.9 - 1701.8	1714.5 - 1676.4	1689.1 - 1651.0	
BFC86	inch	87.500 - 86.000	86.500 - 85.000	85.500 - 84.000	84.500 - 83.000	83.500 - 82.000	82.500 - 81.000	81.500 - 80.000	80.500 - 79.000	
	mm	2222.5 - 2184.4	2197.1 - 2159.0	2171.7 - 2133.6	2146.3 - 2108.2	2120.9 - 2082.8	2095.5 - 2057.4	2070.1 - 2032.0	2044.7 - 2006.6	
			Locator Extension Coverage							
			4-inch	4.5-inch	5-inch	5.5 inch	6-inch	6.5-inch	7-inch	8-inch
BFC48	inch	41.250 - 39.750	40.250 - 38.750	39.250 - 37.750	38.250 - 36.750	37.250 - 35.750	36.250 - 34.750	35.250 - 33.750	N/A	
	mm	1047.8 - 1009.7	1022.4 - 984	997.0 - 958.9	971.6 - 933.5	946.2 - 908.1	920.8 - 882.7	895.4 - 857.3		
BFC56	inch	49.250 - 47.750	48.250 - 46.750	47.250 - 45.750	46.250 - 44.750	45.250 - 43.750	44.250 - 42.750	43.250 - 41.750	41.250 - 39.750	
	mm	1251.0 - 1200.2	1022.4 - 1187.5	1200.2 - 1162.1	1174.8 - 1136.7	1149.4 - 1111.3	1124.0 - 1085.9	1098.6 - 1060.5	1047.8 - 1009.7	
BFC66	inch	59.500 - 58.000	58.500 - 57.000	57.500 - 56.000	56.500 - 55.000	55.500 - 54.000	54.500 - 53.000	53.500 - 52.000	51.500 - 50.000	
	mm	1511.3 - 1473.2	1485.9 - 1447.8	1460.5 - 1422.4	1435.1 - 1397.0	1409.7 - 1371.6	1384.3 - 1346.2	1358.9 - 1320.8	1308.1 - 1270.0	
BFC72	inch	65.500 - 64.000	64.500 - 63.000	63.500 - 62.000	62.500 - 61.000	61.500 - 60.000	60.500 - 59.000	59.500 - 58.000	57.500 - 56.000	
	mm	1663.7 - 1625.6	1638.3 - 1600.2	1612.9 - 1574.8	1587.5 - 1549.4	1562.1 - 1524.0	1536.7 - 1498.6	1511.3 - 1473.2	1460.1 - 1422.4	
BFC86	inch	79.500 - 78.000	78.500 - 77.000	77.500 - 76.000	76.500 - 75.000	75.500 - 74.000	74.500 - 73.000	73.500 - 72.000	71.500 - 70.000	
	mm	2019.3 - 1981.2	1993.9 - 1955.8	1968.5 - 1930.4	1943.1 - 1905.0	1917.7 - 1879.6	1892.3 - 1854.2	1866.9 - 1828.8	1816.1 - 1778.0	

\*All locator extensions over 4 inches (101.6 mm) are achieved by combining other sizes (i.e. 7-inch [177.8 mm] can use a 4-inch and 3-inch [101.6 and 76.2 mm] or a 4, 2, and 1 inch [101.6, 50.8 and 25.4 mm]).

## H&S TOOL DEFENDER™ Powered by CLIMAX

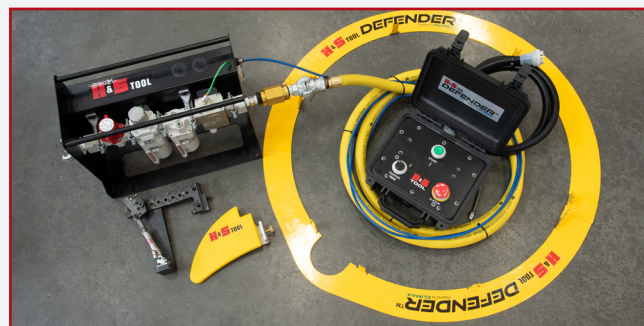
Distractions, improper usage, insufficient experience, deviation from best practices, or adverse chance events in the work environment can lead to worker injuries. To further mitigate against these hazards, the DEFENDER™ Protection System safeguards operators, creating a much safer work environment for onsite machinists across the globe.

### Key features include:

**Patent Pending Dynamic Automated 'Hands-Free' Remote Control and Protection System** will reshape the way you approach your pipe cutting and beveling projects.

**Pneumatic conditioning unit with a low-pressure safety interlock** system prevents unintended re-starts after the loss of supplied air pressure and E-stop for quick stops & controlled re-starts.

**The Flow Control** allows users to control the speed remotely – Slow down for heavy-wall, for more precise cutting after machining weld



overlay, or speed up for harder materials with carbide tooling.

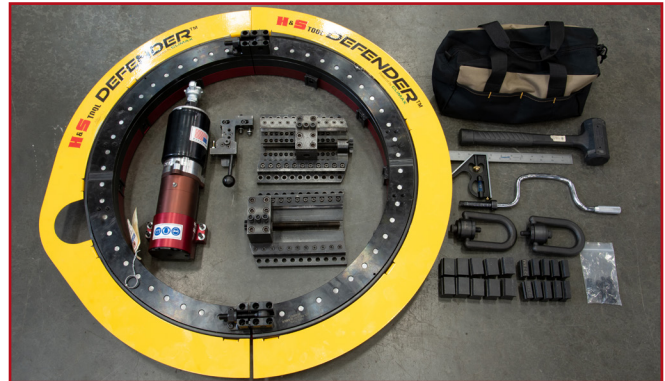
**The Shark Fin™ and DEFENDER™ ring guards** mount cleanly to the clamshell mitigating the pinch points between the rotating tool slides, tripper posts, and motor mount.

**Adjustable Shark Fin™** can be adjusted to varying heights on the tripper post and requires no tools for setup eliminating pinch points between the rotating slides and tripper post.

# TOOL CONFIGURATIONS

One of the pneumatic packages doesn't fit your requirements? Customize your AFC/BFC Clamshell in these steps:

1. Select a base ring size
2. Select a Defender guard
3. Select Locator Pad Extensions
4. Select Tool Slides
5. Select Tool Slide Feed Trippers
6. Select Pneumatic Drive motors
7. Select Pneumatic Controllers
8. Select Alternate Drive Motors and Adapters
9. Select an HPU (for hydraulic drive motors)
10. Select a Counterbore Accessory
11. Select Tooling
12. Select a Flange Facing Accessory



**1. Base Unit** - Includes split ring assembly, tool kit, operating manual and wood shipping box.

Model	Base ring	PN
AFC4	5 - 3.5 in. (127 - 12.7 mm)	<b>AFC4-R</b>
AFC6	7.12 - 5.62 in. (181 - 41.3 mm)	<b>AFC6-R</b>
AFC8	9.125 - 7.625 in. (231.8 - 193.7 mm)	<b>AFC8-R</b>
AFC10	11.25 - 9.75 in. (285.8 - 247.7mm)	<b>AFC10-R</b>
AFC12	13.25 - 11.75 in. (336.6 - 298.5 mm)	<b>AFC12-R</b>
AFC14	14.5 - 13 in. (368.3 - 330.2 mm)	<b>AFC14-R</b>
AFC16	16.5 - 15 in. (419.1 - 381.0 mm)	<b>AFC16-R</b>
AFC18	18.75 - 17.25 in. (476.3 - 438.2 mm)	<b>AFC18-R</b>
AFC20	20.75 - 19.25 in. (527.1 - 489.9 mm)	<b>AFC20-R</b>
AFC24	24.75 - 23.25 in. (628.7 - 590.6 mm)	<b>AFC24-R</b>
AFC26	26.75 - 25.25 in. (679.5 - 641.4 mm)	<b>AFC26-R</b>
AFC28	28.75 - 27.25 in. (730.3 - 692.2 mm)	<b>AFC28-R</b>
AFC30	31 - 29.5 in. (787.4 - 749.3 mm)	<b>AFC30-R</b>
AFC32	33 - 31.5 in. (838.2 - 800.1 mm)	<b>AFC32-R</b>
AFC36	37 - 35.5 in. (939.8 - 901.7 mm)	<b>AFC36-R</b>
AFC42	43 - 33.5 in. (1092.2 - 850.9 mm)	<b>AFC42-R</b>
BFC48	49.25 - 47.75 in. (1251 - 1212.9 mm)	<b>BFC48-R</b>
BFC56	57.25 - 55.75 in. (1454.2 - 1416.1 mm)	<b>BFC56-R</b>
BFC66	67.5 - 66 in. (1714.5 - 1676.4 mm)	<b>BFC66-R</b>
BFC72	73.5 - 72 in. (1866.9 - 1828.8 mm)	<b>BFC72-R</b>
BFC86	87.5 - 86 in. (2222.5 - 2184.4 mm)	<b>BFC86-R</b>

**2. Base Unit Defender Guard Kit** includes the OD ring guard and mounting fasteners

Defender guard kit AFC4	<b>97204</b>
Defender guard kit AFC6	<b>97205</b>
Defender guard kit AFC8	<b>97206</b>
Defender guard kit AFC10	<b>97207</b>
Defender guard kit AFC12	<b>97208</b>

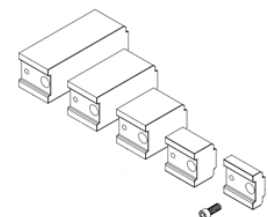
Defender guard kit AFC14	<b>97209</b>
Defender guard kit AFC16	<b>97210</b>
Defender guard kit AFC18	<b>97211</b>
Defender guard kit AFC20	<b>97212</b>
Defender guard kit AFC24	<b>97213</b>
Defender guard kit AFC26	<b>97214</b>
Defender guard kit AFC28	<b>97215</b>
Defender guard kit AFC30	<b>97216</b>
Defender guard kit AFC32	<b>97217</b>
Defender guard kit AFC36	<b>97218</b>
Defender guard kit AFC42	<b>97219</b>
Defender guard kit BFC48	<b>97220</b>
Defender guard kit BFC56	<b>97221</b>
Defender guard kit BFC66	<b>97222</b>
Defender guard kit BFC72	<b>97223</b>
Defender guard kit BFC86	<b>97501</b>

**3. Locator Pad Extensions** - Includes the socket head cap screw for mounting

Extension pad size (includes mounting screw)	AFC*				BFC**
	Set 4	Set 6	Set 10	Set 12	Set 12
1/2 in (12.7 mm)	<b>102393</b>	<b>102928</b>	<b>102933</b>	<b>102938</b>	<b>102584</b>
1 in (25.4 mm)	<b>102394</b>	<b>102929</b>	<b>102934</b>	<b>102939</b>	<b>102585</b>
2 in (50.8 mm)	<b>102395</b>	<b>102930</b>	<b>102935</b>	<b>102940</b>	<b>102586</b>
3 in (76.2 mm)	<b>102396</b>	<b>102931</b>	<b>102936</b>	<b>102941</b>	<b>102587</b>
4 in (101.6 mm)	<b>102397</b>	<b>102932</b>	<b>102937</b>	<b>102942</b>	<b>102588</b>

\* See page 3 for the number required per clamshell size

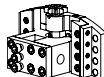
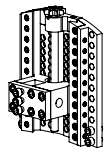
\*\* 12 extensions needed per machine.



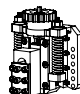


# TOOL CONFIGURATIONS

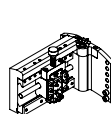
## 4. Tool Slides: standard radial slide - Order 2 per machine

	1-inch (25.4 mm) assembly	<b>2100010</b>
	2-inch (50.8 mm) assembly	<b>2100020</b>
	3-inch (76.2 mm) assembly	<b>2100300</b>
	4-inch (101.6 mm) assembly	<b>2100400</b>
	7-inch (177.8 mm) assembly	<b>2100700</b>
	10-inch (254 mm) assembly	<b>2100010</b>

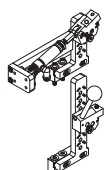
**Out-of-Round Tool Slide:** (only for use on AFC-16 and larger)

	7-inch (177.8 mm) assembly	<b>2100099</b>
	10-inch (254 mm) assembly	<b>2101000</b>

**Axial Tool Slide:** (order 1 per machine)


	5-inch (127 mm) axial feed tool slide assembly w/ holders and (10) inserts	<b>2100055</b>
	7-inch (177.8 mm) axial feed tool slide assembly w/ holders and (10) inserts	<b>2100077</b>

## 5. Tool Slide Feed Trippers

	Tripper Assembly	Standard (w/o Defender)		Pneumatic for Defender	
		AFC	BFC	AFC	BFC
	4-inch (101.6 mm)	<b>5004444</b>	<b>5554444</b>	<b>5001144</b>	<b>5551144</b>
	7-inch (177.8 mm)	<b>5007777</b>	<b>5557777</b>	<b>5001177</b>	<b>5551177</b>
	10-inch (254 mm)	<b>5000010</b>	<b>5551010</b>	<b>5001144</b>	<b>5551110</b>

**Assembly hose & valve** for air tripper, defender non-pneumatic machines. (Only use for non-pneumatic driven machines: e.g. hydraulic or electric. Requires air source from a small compressor or equivalent) **102947**

## 6. Pneumatic Drive Motors

	3800 air motor assembly for AFC 4-inch (101.6 mm) thru 10-inch (254 mm)	<b>IR3-R</b>
	4800 air motor assembly for AFC 12-inch (304.8 mm) thru 42-inch (1066.8 mm) and BFC 48-inch (1219.2 mm) thru 86-inch (2184.4 mm)	<b>IR4-R</b>

Right angle drive/bidirectional drive motor assembly **RAD-R**

## 7. Pneumatic Controllers

**Without the Defender Kit:**

Norgren air caddy assembly	<b>2552025</b>
Air caddy throttle hose assembly	<b>2152035</b>

**With the Defender Kit: includes a Pneumatic Conditioning Unit and Pendant:**

Defender kit pneumatic package	<b>102850</b>
Defender kit pneumatic package for dual air motors	<b>102960</b>

## 8. Alternate Motor Adapters and Motors

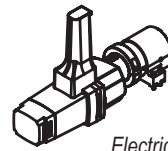
Front drive adapter (does not include motor)	<b>2131010</b>
Reversing front drive adapter (does not include motor)	<b>2132035</b>

## Electric Motors

110/120V electric motor	<b>EM1-R</b>
220/230V electric motor	<b>EM2-R</b>

## Hydraulic Motors

Charlynn hydraulic motor assembly 17.9 cu. in. (293.3 cu. cm.) <i>higher torque</i>	<b>HYC-R</b>
Danfoss hydraulic motor assembly 9.5 cu. in. (155.7 cu. cm.) <i>faster speed</i>	<b>HYD-R</b>



Electric



Hydraulic

## 9. Hydraulic Power Units

### 10HP 4 Function, 208 - 230 Volts

Cordset/hose length		Quick Connect Style		P/N
Feet	Meters	60 Series QD	ISO 16028 CE	
20	6	✓		<b>55285</b>
50	15	✓		<b>51517</b>
100	30	✓		<b>94009</b>
20	6		✓	<b>93894</b>
50	15		✓	<b>94010</b>
100	30		✓	<b>94011</b>

### 10HP 4 Function, 380 - 415 Volts

Cordset/hose length		Quick Connect Style		P/N
Feet	Meters	60 Series QD	ISO 16028 CE	
20	6	✓		<b>55279</b>
50	15	✓		<b>55856</b>
100	30	✓		<b>80909</b>
20	6		✓	<b>93927</b>
50	15		✓	<b>94012</b>
100	30		✓	<b>94013</b>

### 10HP 4 Function, 460 Volts (440 - 480 volts)

Cordset/hose length		Quick Connect Style		P/N
Feet	Meters	60 Series QD	ISO 16028 CE	
20	6	✓		<b>51130</b>
50	15	✓		<b>55645</b>
100	30	✓		<b>56658</b>
20	6		✓	<b>94015</b>
50	15		✓	<b>94016</b>
100	30		✓	<b>94017</b>

### 10HP 4 Function, 575 Volts

Cordset/hose length		Quick Connect Style		P/N
Feet	Meters	60 Series QD	ISO 16028 CE	
20	6	✓		<b>51133</b>
50	15	✓		<b>51138</b>
100	30	✓		<b>81396</b>
20	6		✓	<b>94018</b>
50	15		✓	<b>94019</b>
100	30		✓	<b>94020</b>

## Counterbore Accessories

6-inch (152.4 mm) counterbore barrel with fixed base	<b>100855</b>
10-inch (254 mm) counterbore barrel with fixed base	<b>100856</b>
6-inch (152.4 mm) counterbore barrel with swivel base includes insert holder and 10 inserts	<b>102873</b>
10-inch (254 mm) counterbore barrel with swivel base includes insert holder and 10 inserts	<b>102874</b>
Additional 3/8 inch (9.5 mm) carbide insert	<b>INS38N</b>
10 Degree counterbore blade for fixed base	<b>2201081</b>
90 Degree counterbore blade for fixed base	<b>2201082</b>
18 Degree counterbore blade for fixed base	<b>2201083</b>
14 Degree counterbore blade for fixed base	<b>2201084</b>

## Flange Facing Accessories

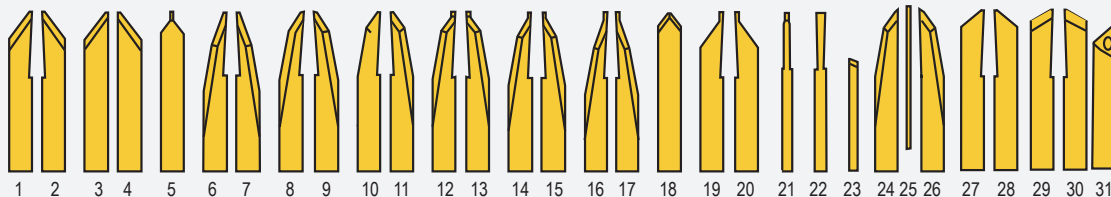
Set of AFC flange leveling brackets	<b>102854</b>
-------------------------------------	---------------

## Flange Facing Accessories Continued

Set of BFC flange leveling brackets	<b>102855</b>
8 -14 inch (131.1 - 229.4 mm) cross slide	<b>2170814</b>
14 - 20 inch (229.4 - 327.7 mm) cross slide	<b>2171420</b>
20 - 26 inch (327.7 - 426.1 mm) cross slide	<b>2172026</b>
26 - 32 inch (426.1 - 524.4 mm) cross slide	<b>2172632</b>
32 - 38 inch (524.4 - 622.7 mm) cross slide	<b>2173238</b>
38 - 44 inch (622.7 - 721 mm) cross slide	<b>2173844</b>
44 - 50 inch (721 - 819.4 mm) cross slide	<b>2174450</b>
50 - 56 inch (819.4 - 917.7 mm) cross slide	<b>2175056</b>
62 - 68 inch (1016 - 1114.3 mm) cross slide	<b>2176268</b>
68 - 74 inch (1114.3 - 1212.6 mm) cross slide	<b>2176872</b>
80 - 86 inch (1311 - 1409.2 mm) cross slide	<b>2178086</b>
Dial indicator kit	<b>102856</b>

### Standard AFC and BFC Tooling Chart

(Refer to Clamshell Sever and Bevel Tooling Guide for details on tooling use)



Item	Description	Part Number	Item	Description	Part Number
1	37° R.H. Bevel, 7-inch (178 mm)	2201013	19	37° R.H. Sever, 7-inch (178 mm)	2201063
1	37° R.H. Bevel, 3.5-inch (89 mm)	2201064	19	37° R.H. Sever, 3.5-inch (89 mm)	2201062
2	37° L.H. Bevel, 7-inch (178 mm)	2201014	20	37° L.H. Sever, 7-inch (178 mm)	2201060
2	37° L.H. Bevel, 3.5-inch (89 mm)	2201061	20	37° L.H. Sever, 3.5"	2201059
3*	37° R.H. Double Bevel, 7-inch (178 mm)	2201016	21	1/4-inch (6.35 mm) Sever, 7-inch (178 mm)	2201002
3*	37° R.H. Double Bevel, 3.5-inch (89 mm)	2201077	21	1/4-inch (6.35 mm) Sever, 3.5-inch (89 mm)	2201041
4*	37° L.H. Double Bevel, 7-inch (178 mm)	2201015	22	3/8-inch (9.53 mm) Sever, 7-inch (178 mm)	2201001
4*	37° L.H. Double Bevel, 3.5-inch (89 mm)	2201078	22	3/8-inch (9.53 mm) Sever, 3.5-inch (89 mm)	2201042
5	37° Double Bevel Sever, 7-inch (178 mm)	2201080	23	10° Counter Bore, 2- inch (50.8 mm)	2201081
5	37° Double Bevel Sever, 3.5-inch (89 mm)	2201020	24*	37° - 10° R.H. Double Bevel, 7-inch (178 mm)	2201018
6	20° - 10° R.H. Bevel, 7-inch (178 mm)	2201025	25*	1/8-inch (3.18 mm) Sever, 6-inch (152.4)	2201248
7	20° - 10° L.H. Bevel, 7-inch (178 mm)	2201023	26*	37° - 10° L.H. Double Bevel, 7-inch (178 mm)	2201017
8	30° - 10° R.H. Bevel, 7-inch (178 mm)	2201029	27	45° R.H. Bevel, 7-inch (178 mm)	2201225
9	30° - 10° L.H. Bevel, 7-inch (178 mm)	2201027	27	45° R.H. Bevel, 3.5-inch (89 mm)	2201223
10	37° - 10° R.H. Bevel, 7-inch (178 mm)	2201009	28	45° L.H. Bevel, 7-inch (178 mm)	2201226
11	37° - 10° L.H. Bevel, 7-inch (178 mm)	2201012	28	45° L.H. Bevel, 3.5-inch (89 mm)	2201224
12	37° - 10° R.H. Sever, 7-inch (178 mm)	2201010	29	30° R.H. Bevel, 7-inch (178 mm)	2201129
13	37° - 10° L.H. Sever, 7-inch (178 mm)	2201011	29	30° R.H. Bevel, 3.5-inch (89 mm)	2201099
14	30° - 10° R.H. Sever, 7-inch (178 mm)	2201028	30	30° L.H. Bevel, 7-inch (178 mm)	2201131
15	30° - 10° L.H. Sever, 7-inch (178 mm)	2201026	30	30° L.H. Bevel, 3.5-inch (89 mm)	2201125
16	20° - 10° R.H. Sever, 7-inch (178 mm)	2201024	31	Counterbore Insert Holder	2201308
17	20° - 10° L.H. Sever, 7-inch (178 mm)	2201022	31	Carbide Insert	INS38N
18	37° Double Bevel, 7-inch (178 mm)	2201079			
18	37° Double Bevel, 3.5-inch (89 mm)	2201019			

\* Blades used as a set.

# ACCESSORIES AFC/BFC

**Irregular Mounting Kit** - For mounting to elbows or other pipe fittings

**AFC ONLY** - Replaces the standard locating pads with a hardened extension pin. Adjustable locator pad and extension pins have the same coverage as the standard pads.

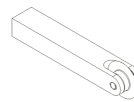
Models	Qty required	Adjustable locator pad assembly	Extension pins
AFC 4, 6, 8, 10, 12, & 14	2	✓	✓
AFC 16, 18, & 20	3	✓	✓
AFC 24, 26, 28, 30, 32, 36, & 42	4	✓	✓

**Adjustable locator pad assembly** (includes mounting and adjustment screw) **1121130**

**Extension pins**

1-inch (25.4 mm)	<b>1120100</b>
1.5-inch (38.1 mm)	<b>1120112</b>
2-inch (50.8 mm)	<b>1120200</b>
2.5-inch (63.5 mm)	<b>1120212</b>
3-inch (76.2 mm)	<b>1120300</b>
3.5-inch (88.9 mm)	<b>1120312</b>
4-inch (101.6 mm)	<b>1120400</b>

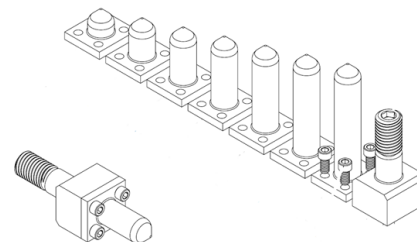
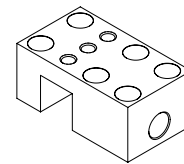
**Chipless Cutter Wheel** - For wall thickness 0.43 inch (11 mm)



Cutter assembly	<b>2201395</b>
Spare cutter wheel	<b>2201391</b>
Spare cutter axle	<b>33230</b>

**Tool Block Extension** - Use extension when using tooling that exceeds 1.37 inch (34 mm) wide or when using tooling sets.

Toolblock Cap Extension 1-inch (25.4 mm) **5001112**



Adjustable locator pad assembly

Carbide Holders		Carbide Insert	
Max depth of cut/max wall capacity = 3.5-inches [89 mm]			
#4 Insert Holder	2201300	#4 Insert	2201301
#6 Insert Holder	2201303	#6 Insert	2201304
#8 Insert Holder	2201331	#8 Insert (M5 X 0.80 X 20mm screw)	2201333
#10 Insert Holder	2201332	#10 Insert (M6 X 1.0 X 25mm screw)	2201334
37° Insert holder max wall capacity = 1.090-inch (27.7 mm)			
37° x 3.5-inch (89 mm) RH Insert Holder	2201352	RH Bevel Insert LH Bevel Insert M4 Torx Screw (2 required per insert)	2208010 2208011 SCRMP38
37° x 3.5-inch (89 mm) LH Insert Holder	2201351		
37° x 7-inch (178 mm) RH Insert Holder	2201344		
37° x 7-inch (178 mm) LH Insert Holder	2201343		
30° Insert holder max wall capacity = 1.190-inch (30.2mm)			
30° x 3.5-inch (89 mm) RH Insert Holder	2201350	RH Bevel Insert LH Bevel Insert M4 Torx Screw (2 required per insert)	2208010 2208011 SCRMP38
30° x 3.5-inch (89 mm) LH Insert Holder	2201349		
30° x 7-inch (178 mm) RH Insert Holder	2201342		
30° x 7-inch (178 mm) LH Insert Holder	2201341		
37° - 10° Max wall capacity = 3.180-inch (80.8 mm)			
37° - 10° x 7-inch (178 mm) RH Insert Holder	2201348	RH Compound Bevel Insert LH Compound Bevel Insert M4 Torx Screw (2 required per insert)	2208000 2208001 SCRMP38
37° - 10° x 7-inch (178 mm) LH Insert Holder	2201347		

# OEM OPERATIONAL TRAINING

## Backed by Over 50 Years of Experience

CLIMAX pioneered the concept of portable machine tools in 1964. Since that time, CLIMAX has grown to become the world's largest provider of innovative on-site machining solutions.

## Professional, Experienced Instructors

All training programs are taught by experienced OEM CLIMAX trainers. Your instructor will provide valuable information on operator safety, tool set-up, mounting, and operation that will help you complete your on-site machining tasks quickly and to the highest quality standards.

Sign up today for training at one of our seven Global CLIMAX training centers.

- Portland, Oregon
- Houston, Texas
- Baton Rouge, Louisiana
- Cleveland, Ohio
- Manchester, United Kingdom
- Düren, Germany
- Dubai, United Arab Emirates



## Call CLIMAX | H&S TOOL for:

### RENTALS

On selected models. With 20+ worldwide rental depot locations, you are never far away from CLIMAX.

### OEM TRAINING

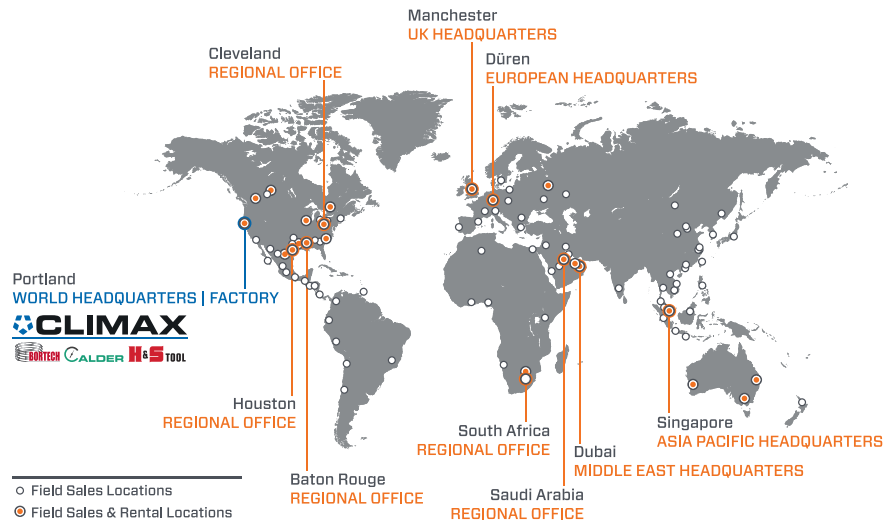
If you need training or on-site consultation, we're famous for it!

### SPARES, REPAIR & MAINTENANCE

Call us for anything you need to keep your system running in top condition.

### CUSTOM PROJECTS

Custom turn-key system design services from the most experienced engineers in the business!



Follow us on:   

### World Headquarters

Address: 2712 E. 2nd St, Newberg, Oregon 97132  
Tel: +1 503 538 2185  
Fax: +1 503 538 7600  
Email: info@cpmt.com

### Asia Pacific

Address: 10, Raeburn Park, #02-08, Singapore 088702  
Tel: +65 6801 0662  
Fax: +65 6801 0699  
Email: ClimaxAsia@cpmt.com

### European

Address: Am Langen Graben 8, 52353 Düren, Germany  
Tel: (+49) (0) 2421 9177 0  
Fax: (+49) (0) 2421 9177 29  
Email: ClimaxEurope@cpmt.com

### Middle East

Address: Warehouse #5, Plot: 369 272, Um Sequim Road, Dubai, UAE  
Tel: +971 4 321 0328  
Email: ClimaxUAE@cpmt.com

### United Kingdom

Address: Unit 3, Martel Court, South Park Business Park, Stockport, SK1 2AF  
Tel: +44 (0) 161 406 1720  
Email: ClimaxUK@cpmt.com

Copyright © 2022 CLIMAX Portable Machining & Welding Systems. All Rights Reserved. CLIMAX has taken reasonable measures to ensure the accuracy of the information contained in this document. However, CLIMAX makes no warranties or representations with respect to the information contained herein; and CLIMAX shall not be held liable for damages resulting from any errors or omissions herein, or from the use of the information contained in this document.

