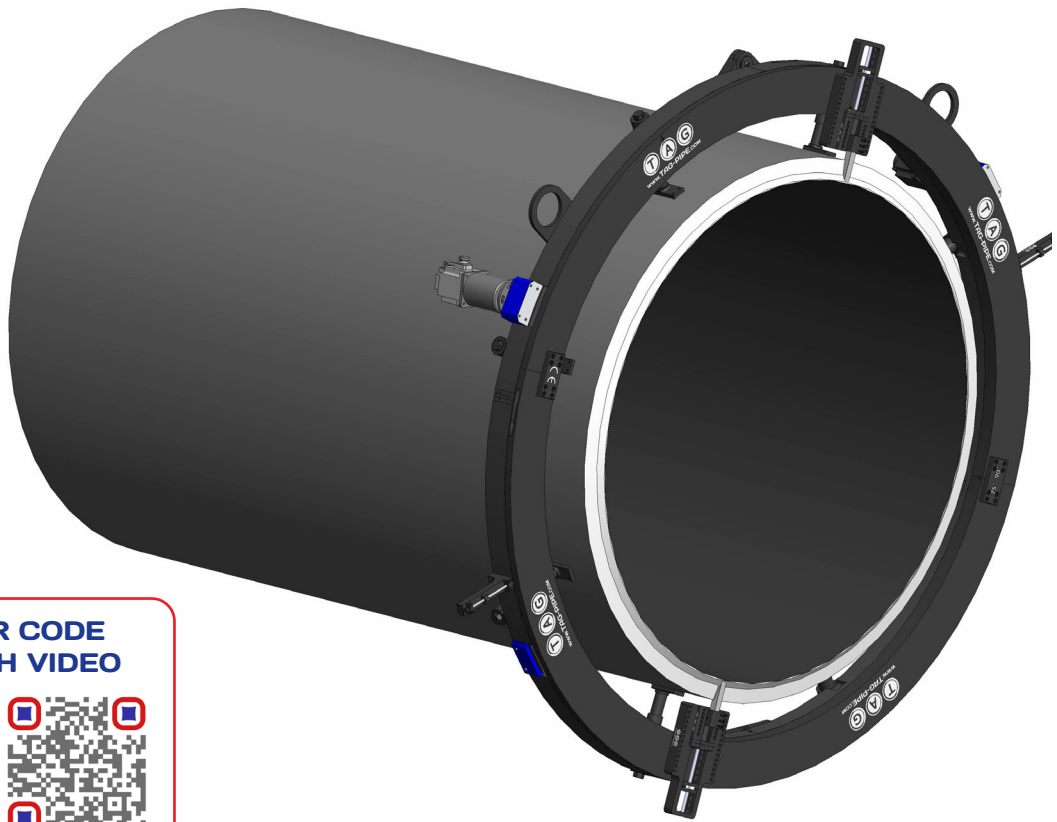


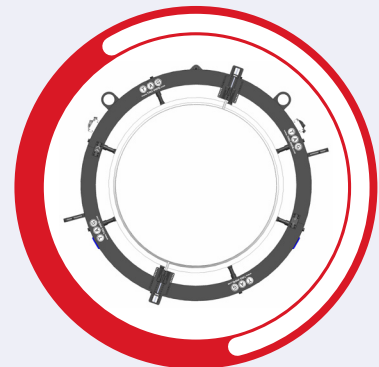
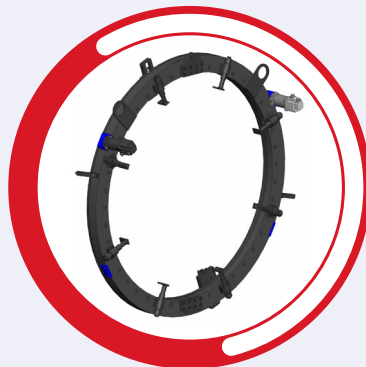
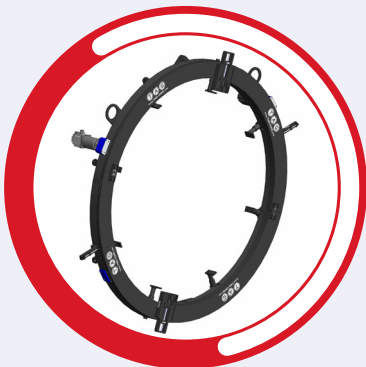


PIPE EQUIPMENT SPECIALISTS

# SPLIT FRAME CLAMSHELL COLD CUTTING AND BEVELLING MACHINES 48" to 120"



SCAN QR CODE  
TO WATCH VIDEO



## Introduction

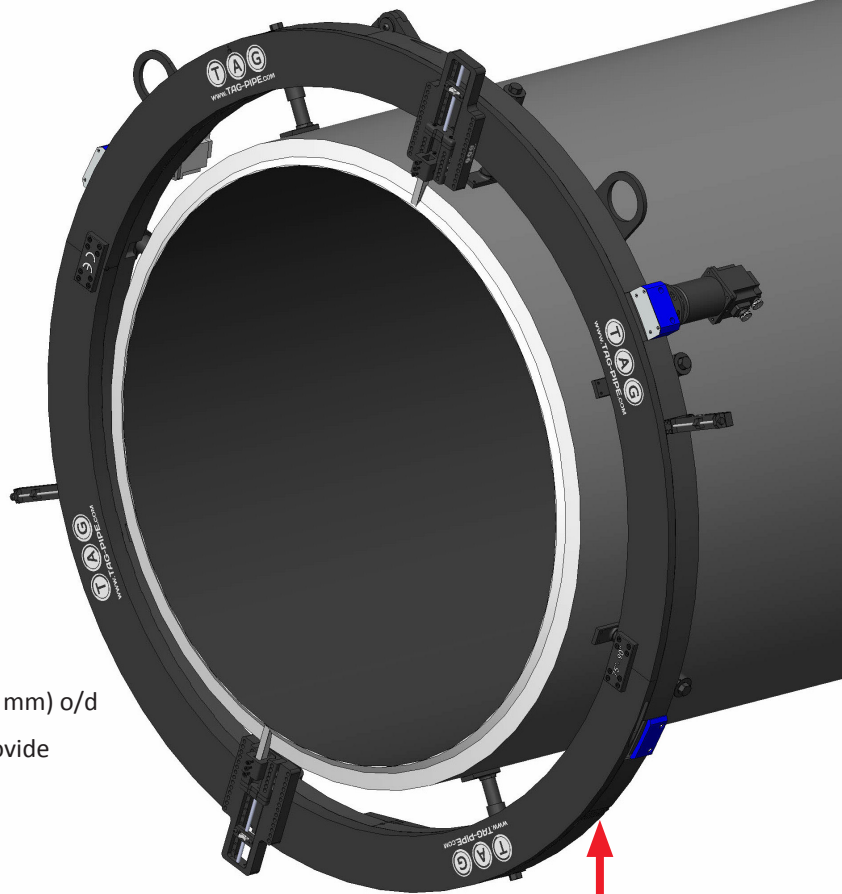
TAG's new split frame clamshells are essentially portable lathes.

Offering the versatility to cut and bevel (simultaneously if required), face, counterbore and o/d machine pipes (and vessels) of almost any diameter.

A steel body encases a steel inner ring gear, running on solid bearings.

Coupled with wide, hardened clamping feet, with easy read rule marks, enable rapid, repeatable concentric setup, even on out of round pipes and joints.

A range of tooling, power units and accessories allow you to tailor your machine to your particular job.



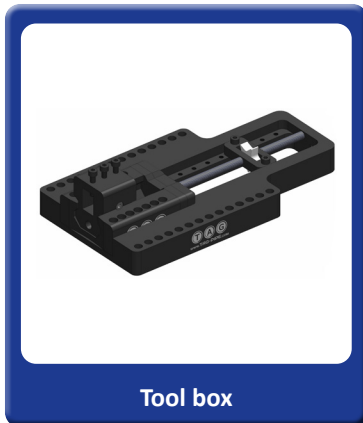
Heavy duty steel body

## Features and Advantages

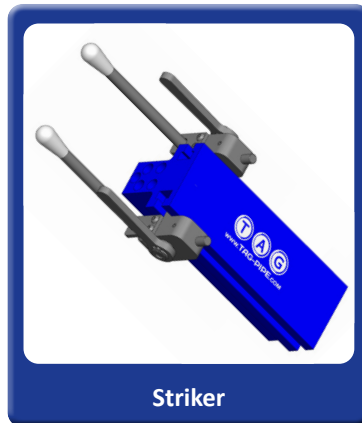
- 5 models cover a range from 48" (1,220 mm) to 120" (3,050 mm) o/d
- Pneumatic, hydraulic and NC servo electric drive options provide increased versatility
- Adjustable heavy duty bearings, combined with easy access maintenance points allow inspection and adjustment
- Clamping feet are quickly and easily adjusted via a flush hex head through the outer ring. Feet feature easy read measure marks for rapid setup and adjustment
- TAG split frame clamshells accept a wide range of accessories to increase performance and expand machine capabilities
- Unique TAG transmission tool slides with changeable gears for adjustable radial tool feed

MODEL	RANGE O/D (INCH)	RANGE O/D (MM)	CLAMPING JAWS
TSFC60	48 - 60"	1,220 - 1,524mm	8
TSFC75	60 - 75"	1,524 - 1,910mm	8
TSFC90	75 - 90"	1,910 - 2,290mm	12
TSFC105	90 - 105"	2,290 - 2,680mm	12
TSFC120	105 - 120"	2,680 - 3,050mm	12

Larger sizes available upon request



Tool box



Striker



Locking system