

ROBUST, EASY TO USE, MODULAR AND CONFIGURABLE

The CALDER PROSET PILOT VALVE TESTER can perform functionality of the Pilot in PORV with unsurpassed quality and ease of use.

ROBUST

Every component in the PROSET pressure circuit is OEM-certified to the maximum specified testing pressure of the system for increased quality, durability, and safety.

CE certified and available worldwide! All CALDER products are available for sale worldwide, including in the European Union and other locations where CE certification is required.

Safety Flashlight with test pressure sensing components 'Turns On' when there is pressure in the system and 'Turns OFF' automatically when the pressure is drained off the system.

ISO 9001 certified manufacturing ensures all CALDER products are manufactured to the highest quality standards.

Industry-leading standard 2-year warranty with an option to purchase an extended warranty out to 5 years.

EASY TO USE

Tests both modulating and snap-acting pilot valves within a wide range of pressures from 15 to 6000 psi.

Test control panel separated by a splash shield between the operator and valve mounting rail.

Intuitive control panel layout makes performing a test procedure efficient and easy for the operator reducing overall testing times.

Extensive operating manual contains easy-to-follow tips and includes step-by-step setup instructions for various valve testing operations.

Quick-connect test pressure gauges can be easily removed to quickly calibrate or replace gauges.



Robust pilot valve mount has the flexibility of mounting on a universal t-slot.

STATE OF THE ART

Corrosion-resistant paint provides long life while ensuring less maintenance in the future, providing the longevity and uptime of the machine.

SmarTest™ intelligent data acquisition system (DAAS) digitally indicates and records the real-time performance of Pilot valve which determines the functionality of the valve.

WHY CHOOSE CALDER!



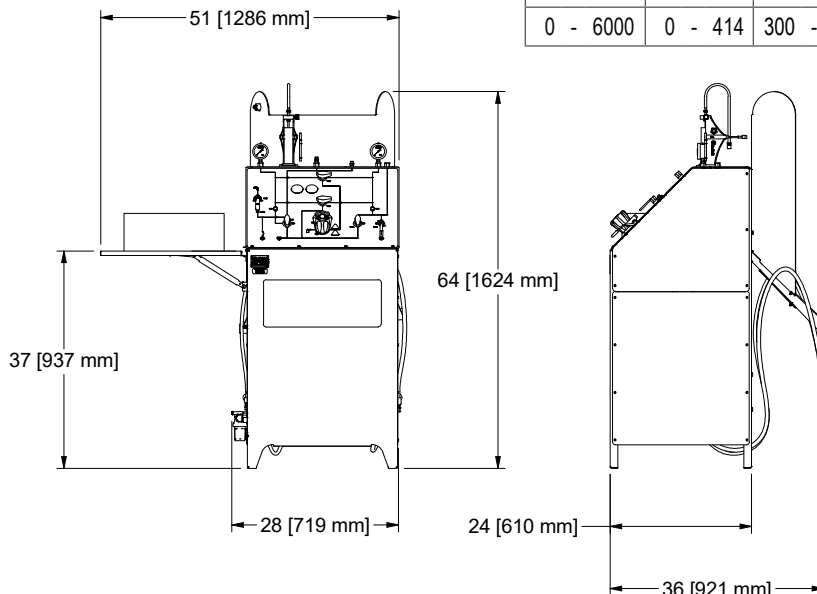
- Ⓒ The modular, highly configurable and field-upgradable design of the new CALDER tester platform is the most flexible and cost-effective way to manage all your valve testing requirements. It can grow and evolve your business
- Ⓒ The new CALDER test systems are designed to be more accurate and precise than other comparable products
- Ⓒ Unique to the valve testing industry, every CALDER component is OEM certified to the maximum pressure specification of the system, for enhanced safety, quality and durability
- Ⓒ CALDER offers users the ability to simultaneously test multiple valves with one system
- Ⓒ Unmatched in the industry, all CALDER systems are backed by a 2 year warranty
- Ⓒ CALDER has global reach and local support through CLIMAX's vast world-wide network
- Ⓒ CALDER offers a complete line of Valve Repair Machines for lapping, grinding and specialized valve machining operations
- Ⓒ CALDER offers a full portfolio of Test Barriers and Hydraulic Seal Clamps among other products
- Ⓒ CALDER offers SMARTEST™ intelligent data acquisition, analysis and control systems for use with our testers
- Ⓒ Custom turn-key system design services from the most experienced engineers
- and valve test experts in the business
- Ⓒ Outrageously good customer service. We are available 24/7!
- Ⓒ End-to-End Solutions; from products, consulting, engineering, custom design, training, start-up, after-sale service, spare parts, repair, and rentals, CALDER offers unmatched value in our industry
- Ⓒ All CALDER products are CE certified and manufactured in our ISO 9001 certified factory
- Ⓒ All CALDER products are proudly made in the USA



SPECIFICATIONS

Product Specification	
Test media	Water, air
Maximum water test pressure	6,000 psi (414 bar)
Maximum air test pressure	6,000 psi (414 bar)
Types of valves that can be tested	Pilot valve (pop-action and modulating)
Types of tests	Set-point testing of pilot valves and leakage test from exhaust port
Pilot valve mount	Universal t-slot mount
Pilot Vessel Volume	1 gallon (3.8 L)
Dome Vessel Volume	1 gallon (3.8 L)
Approximate machine weight	400 lbs (181 kg)
Approximate machine ship weight	725 lbs (329 kg)

PROSET Pilot Valve Tester Gauge Ranges						
NOMINAL RANGE		WORKING RANGE				
PSI	BAR	PSI	BAR		PSI	BAR
0 - 15	0 - 1	1 - 14	.07 - 1	+/-	0.1	.007
0 - 60	0 - 4	3 - 57	.21 - 4	+/-	0.3	.021
0 - 100	0 - 7	5 - 95	.34 - 7	+/-	0.5	.034
0 - 160	0 - 11	8 - 152	.55 - 10	+/-	0.8	.055
0 - 200	0 - 14	10 - 190	.69 - 13	+/-	1.0	.069
0 - 300	0 - 21	15 - 285	1 - 20	+/-	1.5	.103
0 - 1000	0 - 69	50 - 950	3 - 66	+/-	5	.345
0 - 2000	0 - 138	100 - 1900	7 - 131	+/-	10	.689
0 - 3000	0 - 207	150 - 2850	10 - 197	+/-	15	1.0
0 - 4000	0 - 276	200 - 3800	14 - 262	+/-	20	1.4
0 - 5000	0 - 345	250 - 4750	17 - 328	+/-	25	1.7
0 - 6000	0 - 414	300 - 5700	21 - 393	+/-	30	2.1



All dimensions should be considered reference. Contact your CALDER Representative for precision dimensions. Specifications are subject to change without notice. There are no systems or components on this machine that are capable of producing hazardous EMC, UV or other radiation hazards. The machine does not use lasers nor does it create hazardous materials such as gasses or dust.

PROSET PV CONFIGURATIONS



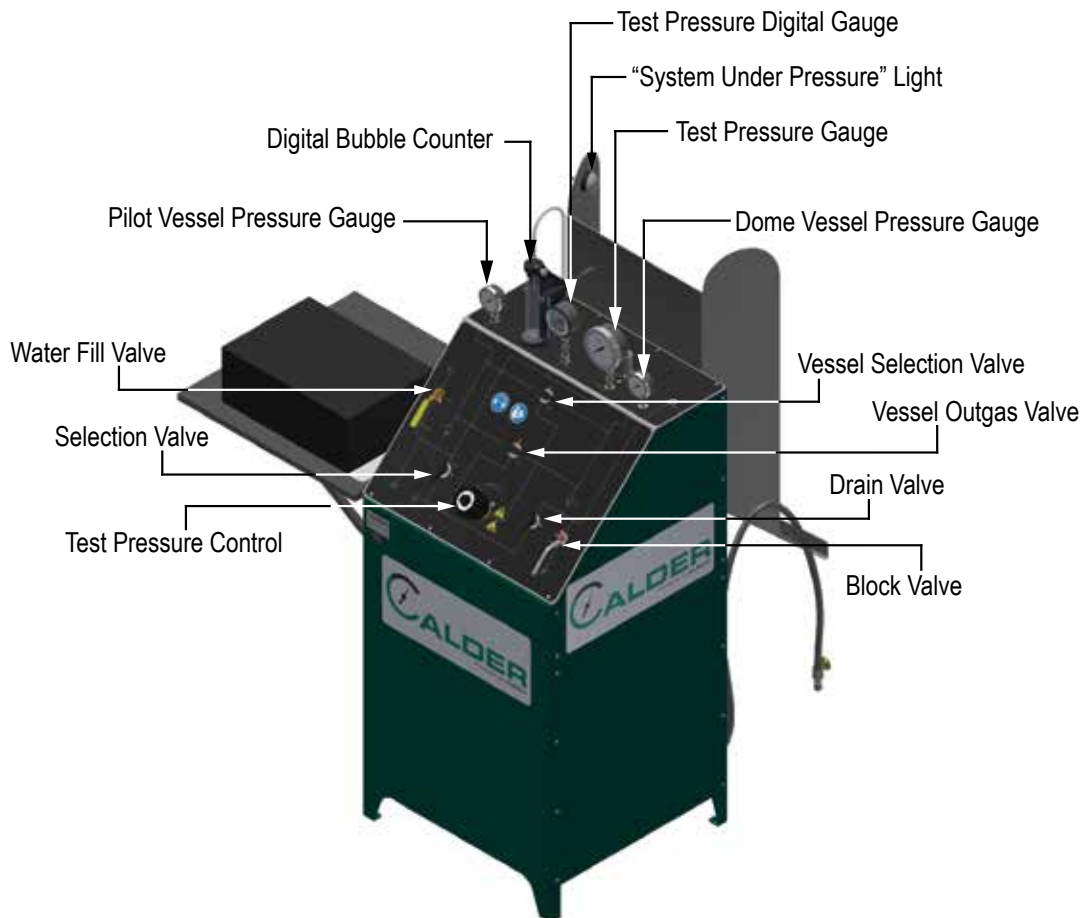
The CALDER standalone **PROSET PILOT VALVE TESTER** tests both modulating and snap-acting pilot valves within a wide range of pressures, from 15 to 6000 psi.

To configure your pilot valve tester simply select from the below options then contact your CALDER representative.

The CALDER standalone **PROSET Pilot Valve Tester** comes standard with an oversized dome vessel, flexible hoses, a modular valve mounting rail, stainless steel splash shield/drainage tray, a "system under pressure" light, operator's manual, your choice of analog gauges with quick disconnects and/or our optional data acquisition system.



Options	Part Number
Pilot Valve Tester	
Pilot Valve Tester with no SMARTEST™ DAAS	102852
Pilot Valve Tester with Next Generation SMARTEST™ DAAS	102853
Pilot Valve Tester with SMARTEST™ DAAS Laptop	102872



CALDER VALVE INSTITUTE AND CARE PROGRAM

The Right Training by the Right People!

Our engineers and valve test experts have been teaching the fundamentals and fine points of valve testing operation for as long as we've been inventing and building advanced valve testing systems.

Professional, Experienced Instructors

All training programs are taught by our professional and experienced OEM CALDER trainers. Your instructor will provide valuable information on operator safety, valve test system set-up, operation, and how to keep your valve tester in top operating condition.

Sign up today for training at one of our eight Global CLIMAX | CALDER training centers.

- Portland, Oregon
- Houston, Texas
- Baton Rouge, Louisiana
- Cleveland, Ohio
- Manchester, United Kingdom
- Düren, Germany
- Dubai, United Arab Emirates
- Dammam, Saudi Arabia



CALDER CARE PROGRAM

Preventative maintenance and service package includes:

- ✓ Parts Replacement Guarantee – All parts replaced for the term of the package
- ✓ On-Site Preventive Maintenance – Yearly PM visit by a Certified CALDER Service Technician
- ✓ Technical Assistance by Phone – A CALDER CARE Hotline for 24/7 US-based expert advice from repair professionals
- ✓ Extended Warranty Coverage – CALDER is the only company in our industry with a standard 2 year warranty and offering extended warranty programs out to 5 years!

Call CLIMAX | CALDER for:

RENTALS

On selected models. With 20+ worldwide rental depot locations, you are never far away from CLIMAX.

OEM TRAINING

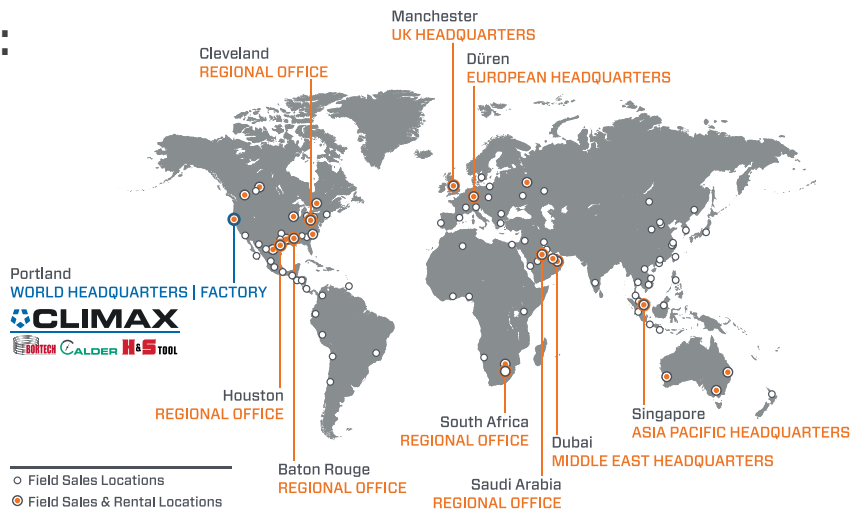
If you need training or on-site consultation, we're famous for it!

SPARES, REPAIR & MAINTENANCE

Call us for anything you need to keep your system running in top condition.

CUSTOM PROJECTS

Custom turn-key system design services from the most experienced engineers in the business!



Follow us on: [f](#) [in](#) [ig](#)

World Headquarters

Address: 2712 E. 2nd St, Newberg, Oregon 97132
 Tel: +1 503 538 2185
 Fax: +1 503 538 7600
 Email: info@cpmt.com

Asia Pacific

Address: 10, Raeburn Park, #02-08, Singapore 088702
 Tel: +65 6801 0662
 Fax: +65 6801 0699
 Email: ClimaxAsia@cpmt.com

European

Address: Am Langen Graben 8, 52353 Düren, Germany
 Tel: (+49) (0) 2421 9177 0
 Fax: (+49) (0) 2421 9177 29
 Email: ClimaxEurope@cpmt.com

Middle East

Address: Address: C9, Phase 5, Light Industrial Units, DSO, Dubai, UAE
 Tel: +971 4 321 0328
 Email: ClimaxUAE@cpmt.com

United Kingdom

Address: Unit 3 Martel Court, S.Park Business Park, Stockport SK1 2AF
 Tel: +44 (0) 161 406 1720
 Email: ClimaxUK@cpmt.com

Copyright © 2022 CLIMAX All Rights Reserved. CLIMAX has taken reasonable measures to ensure the accuracy of the information contained in this document. However, CLIMAX makes no warranties or representations with respect to the information contained herein; and CLIMAX shall not be held liable for damages resulting from any errors or omissions herein, or from the use of the information contained in this document.

