

Linear and Gantry Milling in one machine, for X-Axis travel of up to 84 inches (2133.6 mm) and Y-Axis travel of up to 34 inches (863.6 mm).

The Climax LM5200 Milling Machine revolutionizes both the capabilities and functionality of portable mills. Four main features make this one of the best milling machines on the market today:

1. Extremely rigid, modular bed design.
2. Innovative configuration options allow setup for both Linear AND Gantry Milling in one machine.
3. Powerful, precise machining.
4. Reduced Friction Rail Technology.

Rigid, Modular Design

- Unique modular bed design allows shorter bed sections to be combined to fit the length of the work area without losing rigidity.
- Unique bed length section design provides superior rigidity across the entire bed length.
- Connection plates and fasteners optimized to provide the ultimate in rigidity, even when bed is extended by 2 or 3 times the original length.

Flexible Configuration & Operation

- The innovative new design of these Climax Milling Machines allow them to be configured for traditional linear milling, or simply split the rails lengthwise to configure for gantry milling!!
- Electric feeds can be mounted on the X, Y or Z axis.
- Machining capabilities include milling, drilling and even boring.



Powerful, Precise Machining

- Features heavy duty spindle design and a choice of Hydraulic Power Units - a 10 Hp (7.5 kW) HPU allows use of cutter heads of up to 6 inches (152.4 mm) in diameter.
- Milling can be done in any axis, with a milling head that can rotate 360° with an optional swivel plate for optimal spindle flexibility.
- Fast, aggressive milling in horizontal, vertical, or inverted applications.
- Provides reliable, precise milling to meet tight machining tolerances in both linear and gantry mill configurations.

Reduced Friction Rail Technology

- Reduced friction rail system allows extremely smooth, continuous, and non stick-slip travel.
- Precisely machined and aligned rails with advanced lubrication make machining applications smooth and efficient.
- Low friction system reduces maintenance costs and extends product life.
- Precision ball screws in X, Y and Z- axis assemblies allow precise location of milling head.

SPECIFICATIONS

Operating Ranges:

	Bed		Ram	
	Travel	Length	Travel	Length
LM5200 Model	36 inches (914.4 mm)	48 inches (1219.2 mm)	16 inches (406.4 mm)	26 inches (660.4 mm)
	60 inches (1524.0 mm)	72 inches (1828.8 mm)	34 inches (863.6 mm)	44 inches (1117.6 mm)
	84 inches (2133.6 mm)	96 inches (2438.4 mm)		

US

Metric

Spindle Assembly (Z-Axis):

Milling Head Spindle with #40 Taper
Spindle Drive
Axial Tool Head Travel
Milling Head Gearbox Ratio
Tool Head Position

NMTB or CATV or optional HSK
Hydraulic, Optional
4 inches 101.6 mm
1 : 1 1 : 1
in 90° increments
(infinite 360° position w/ optional swivel plate)
180° in 90° increments (3 positions)

Gearbox Position Adjustment

Electric Feed

Drive Power
Gearbox Reduction
Feed Rate
Power Input Requirements

Modified Baldor GP3303 1/2 HP DC gear motor
20 : 1
0.5 - 24 in/min 12.7 - 609.6 mm/min
5 amps @ 120V / 2.5 amps @ 230V

Overall Dimensions

Bed (overall length)
Ram (overall width)
Height without hand wheel
with hand wheel

Bed Length + 2.5 in. Bed Length + 63.5 mm
Ram Length + 2.5 in. Ram Length + 63.5 mm
18.75 inches 476.3 mm
22.0 inches 558.8 mm

TEST DATA

All test cuts performed with a 10Hp (7.5 KW) HPU and a 7.3 cu. in. (119.6 cu. cm) hydraulic motor in A-36 steel

Orientation	Cutter Diameter	Inserts	Depth of Cut	Width of Cut	Feed Rate
Horizontal Overhang	6 inches (152.4 mm)	7	0.020 inches (0.508 mm)	6 inches (152.4 mm)	14 in/min (355.6 mm/min)
Horizontal Overhang	6 inches (152.4 mm)	7	0.020 inches (0.508 mm)	3 inches (76.2 mm)	14 in/min (355.6 mm/min)
Horizontal Gantry	6 inches (152.4 mm)	7	0.020 inches (0.508 mm)	3 inches (76.2 mm)	12 in/min (304.8 mm/min)
Horizontal Gantry	6 inches (152.4 mm)	7	0.055 inches (1.397 mm)	3 inches (76.2 mm)	1 in/min (25.4 mm/min)
Vertical	4 inches (101.6 mm)	6	0.020 inches (0.508 mm)	3 inches (76.2 mm)	15 in/min (381 mm/min)
Drilling	1.5 inch (38.1 mm) superdrill	n/a	2 inches (50.8 mm)	n/a	Spindle RPM: 250
Boring	2.5 inch (63.5 mm) Criterion Boring Head	n/a	2 inches (50.8 mm)	n/a	Spindle RPM: 425

Flatness (Machine setup & flatness measurements performed with a Hamar laser)					
Configuration	Cutter Diameter	Inserts	Material	Area	Total Flatness
Linear Milling	6 inches (152.4 mm)	7	A-36 Steel Plate	6.0 x 36.0 inches (152.4 x 914.4 mm)	0.0018 inches (0.046 mm)
Gantry Milling	6 inches (152.4 mm)	7	A-36 Steel Plate	6.0 x 36.0 inches (152.4 x 914.4 mm)	0.0015 inches (0.038 mm)

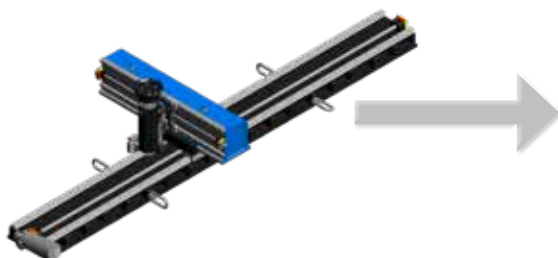
All dimensions should be considered reference. Contact your Climax Representative for precision dimensions. Specifications are subject to change without notice. There are no systems or components on this machine that are capable of producing hazardous EMC, UV or other radiation hazards. The machine does not use lasers nor does it create hazardous materials such as gasses or dust.

TOOL CONFIGURATIONS

Easy Conversion from Linear to Gantry Milling

The Climax LM5200 and LM6200 Milling Machines can be easily reconfigured to perform Linear or Gantry Milling. Below is a step by step overview of the conversion steps from traditional linear milling to gantry milling.

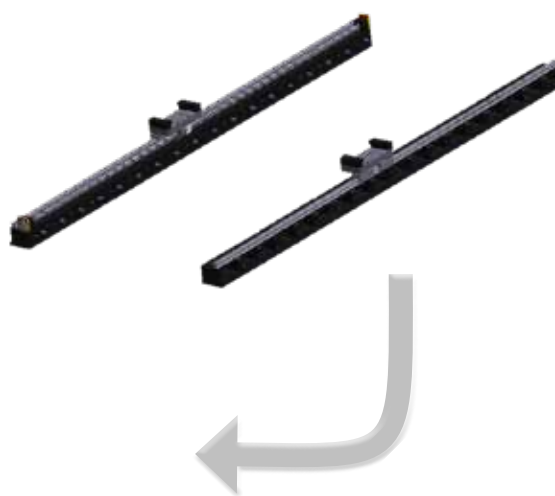
1 Linear Mill set up for overhead milling.



2 Separate main bed and RAM.



3 Split the bed & saddle pictured above into two separate rails for Gantry Milling as pictured below.



4 Reattach RAM to saddle and rails for a complete Gantry Mill.



All dimensions should be considered reference. Contact your Climax Representative for precision dimensions. Specifications are subject to change without notice. There are no systems or components on this machine that are capable of producing hazardous EMC, UV or other radiation hazards. The machine does not use lasers nor does it create hazardous materials such as gasses or dust.

TOOL CONFIGURATIONS

Configure your LM5200 in 13 steps:

- 1 Select a Base Unit
- 2 Select a Gantry Kit
- 3 Select a RAM Assembly
- 4 Select a Shipping Container
- 5 Select a Milling Head Assembly
- 6 Select Tooling
- 7 Select a Spindle Hydraulic Motor
- 8 Select a Milling Head Swivel Assembly
- 9 Select a Hydraulic Power Unit (HPU)
- 10 Select Hoses and Pendant Cable Assemblies
- 11 Select a Stand Alone Feed Control
- 12 Select a Feed Assembly
- 13 Select a Z-Axis Feed Adapter

To generate the correct part number for the machine you require, simply select the part number needed in each step as appropriate, and contact your Climax representative.

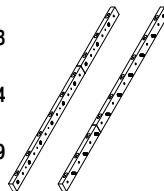
1. Base Unit

- Base Unit, 36 Inch (914.4 mm) Travel, Bed Length 48 Inch (1219.2 mm) **66324**
- Base Unit, 60 Inch (1524.0 mm) Travel, Bed Length 72 Inch (1828.8 mm) **64201**
- Base Unit, 84 Inch (2133.6 mm) Travel, Bed Length 96 Inch (2438.4 mm) **66325**



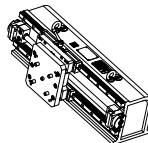
2. Gantry Kit

- Gantry Kit For 36 Inch (914.4 mm) Travel, Bed Length 48 Inch (1219.2 mm) **64978**
- Gantry Kit For 60 Inch (1524.0 mm) Travel, Bed Length 72 Inch (1828.8 mm) **64624**
- Gantry Kit For 84 Inch (2133.6 mm) Travel, Bed Length 96 Inch (2438.4 mm) **64979**



3. RAM Assembly

- RAM Assembly 16 Inch (406.4 mm) Travel, Length 26 Inch (660.4 mm) **72642**
- RAM Assembly 34 Inch (863.6 mm) Travel, Length 44 Inch (1117.6 mm) **72643**
- RAM Assembly 16 Inch (406.4 mm) Travel, Length 26 Inch (660.4 mm) & RAM Assembly 34 Inch (863.6 mm) Travel, Length 44 Inch (1117.6 mm) **67652**

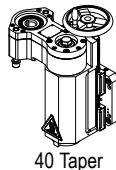


4. Shipping Container

- Wooden Crate for 36 In (914.4 mm) Travel Bed **65237**
- Metal Container for 36 In (914.4 mm) Travel Bed **101902**
- Wooden Crate for 60 In (1524.0 mm) Travel Bed **65239**
- Metal Container for 60 In (1524.0 mm) Travel Bed **101903**
- Wooden Crate for 84 In (2133.6 mm) Travel Bed **65240**
- Metal Container for 84 In (2133.6 mm) Travel Bed **101904**

5. Milling Head Assembly

- Inch #40 Taper NMTB **62399**
- Inch #40 Taper CATV **62732**
- Metric #40 Taper NMTB **62654**
- Metric #40 Taper CATV **62733**
- Hydraulic #40 HSK **65262**
- Pneumatic Right Angle #40 HSK **68455**
- Pneumatic Direct Drive #40 HSK **68584**



6. Tooling (for inch milling head assy only)

- #40 Taper**
- #40, 4 Inch (101.6 mm) Face Mill with Inserts **47380**
- #40, 5 Inch (127.0 mm) Face Mill with Inserts **47381**
- #40, 6 Inch (145.4 mm) Face Mill with Inserts **47382**
- Carbide Inserts **47229**

- HSK #40A Hydraulic**
- #40A, 3 Inch (76.2 mm) HSK Face Mill w/ Inserts **64984**
- Collet Holder ER-32 #40A HSK Taper, 0.08 - 0.81 Inch (2.0 - 20.6 mm) **64985**
- Carbide Inserts **47229**

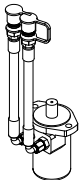
Collet Tooling

- HSK 40A Hydraulic**
- Collet Inch ER-32, 3/4 Inch **64986**
- Collet Metric ER-32, 20 mm **66344**
- Collet Set Inch ER-32, 1/8 - 13/16, 1/16 Increments **66345**
- Collet Set Metric ER-32, 3 - 20 mm, 1mm Increments **66346**
- Cutter Fly 2-1/2 Inch Diameter Head x 3/4 Inch Shank **20713**
- Cutter Fly 2-1/4 Inch (57.15 mm) Dia. Head x 20 mm Shank **31625**

7. Spindle Hyd. Motors Assembly

Milling Head Assembly	Motor Displacement		Max Spindle Speed		Hydraulic Motor PN	
	in ³	cm ³	@ 50 Hz Mains Power	@ 60 Hz Mains Power	60 Series	ISO 16028
40 Taper	3.6	59.0	490	591	62627	84224
	5.9	93.4	292	353	62628	84225
	7.3	119.6	228	275	62629	84226
HSK 40A	8.8	144.2	183	221	62630	84227
	1.21	19.8	873	1009	65094	79701
	1.93	31.6	502	606	65095	79699
	3.00	49.2	306	369	65096	83963

Minimum speed is 20% of the maximum speed



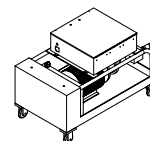
8. Milling Head Swivel Assembly

- Milling Head Swivel Plate Assembly **66217**



9. Hydraulic Power Unit

HP1000, 208 - 230 Volts					
Cordset/hose length		Quick Connect Style		PN	
Feet	Meters	60 Series QD	ISO 16028 CE		
20	6	✓		85815	
50	15	✓		90947	
100	30	✓		90948	
20	6		✓	90962	
50	15		✓	90963	
100	30		✓	90964	



NOTE: Drawings are for reference only, are not to scale, and may not represent actual product.

TOOL CONFIGURATIONS

Hydraulic Power Unit (continued)

HP1000, 380 - 415 Volts				
Cordset/hose length		Quick Connect Style		PN
Feet	Meters	60 Series QD	ISO 16028 CE	
20	6	✓		85789
50	15	✓		90949
100	30	✓		90950
20	6		✓	90965
50	15		✓	90966
100	30		✓	90967

HP1000, 460 Volts				
Cordset/hose length		Quick Connect Style		PN
Feet	Meters	60 Series QD	ISO 16028 CE	
20	6	✓		85785
50	15	✓		90951
100	30	✓		90952
20	6		✓	90968
50	15		✓	90969
100	30		✓	90970

HP1000, 575 Volts				
Cordset/hose length		Quick Connect Style		PN
Feet	Meters	60 Series QD	ISO 16028 CE	
20	6	✓		89633
50	15	✓		90953
100	30	✓		90954
20	6		✓	90973
50	15		✓	90974
100	30		✓	90975

10. Stand Alone Feed Control

(Stand Alone Control Panel & Pendant with Cables)

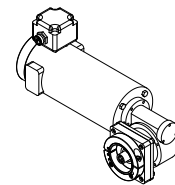
NOTE: Not needed if using a CLIMAX Hydraulic Power Unit

Voltage	Cable Length	PN
120V	20 ft (609.6 cm)	95573
	50 ft (1524.0 cm)	95574
230V	20 ft (609.6 cm)	95576
	50 ft (1524.0 cm)	95577

11. Electric Feed Assembly

NOTE: 230V Feeds not for use with CLIMAX Hydraulic Power Units

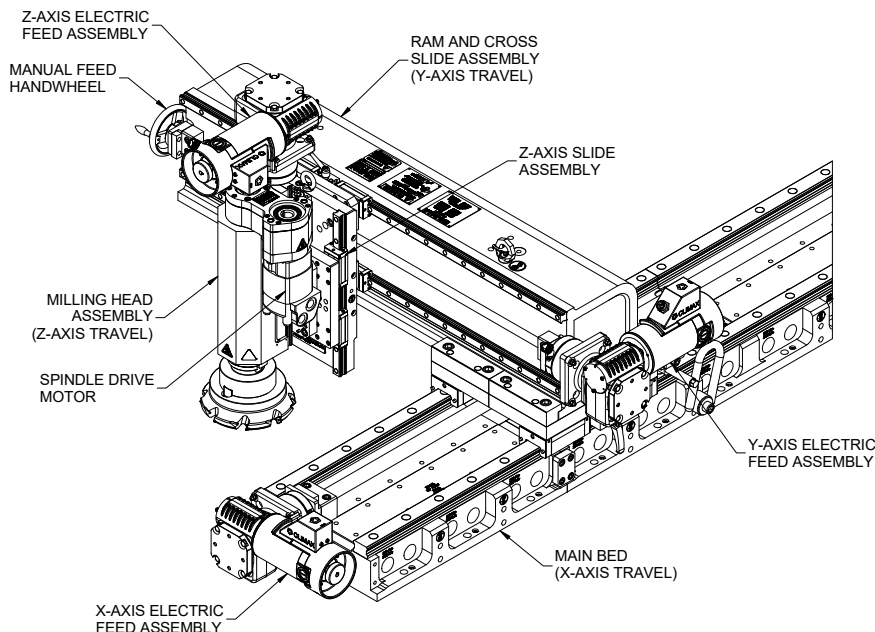
Voltage	Cable Length	PN
120V	20 ft (609.6 cm)	64684
	50 ft (1524.0 cm)	66310
	100 ft (3048.0 cm)	66311
230V	20 ft (609.6 cm)	64743
	50 ft (1524.0 cm)	66312
	100 ft (3048.0 cm)	66313



12. Z-Axis Feed Adapter

Z-Axis Feed Adapter Kit - I Axis 40 Taper

64856

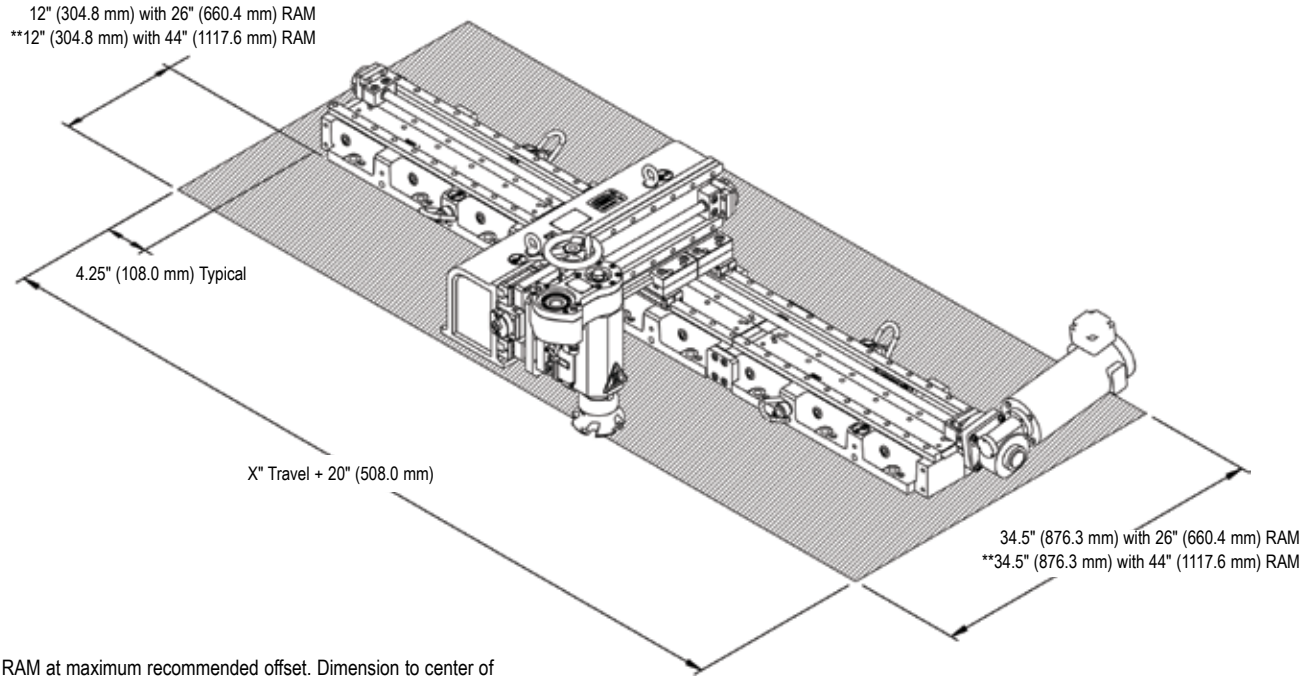


NOTE: Drawings are for reference only, are not to scale, and may not represent actual product.

OPERATIONAL DIMENSIONS

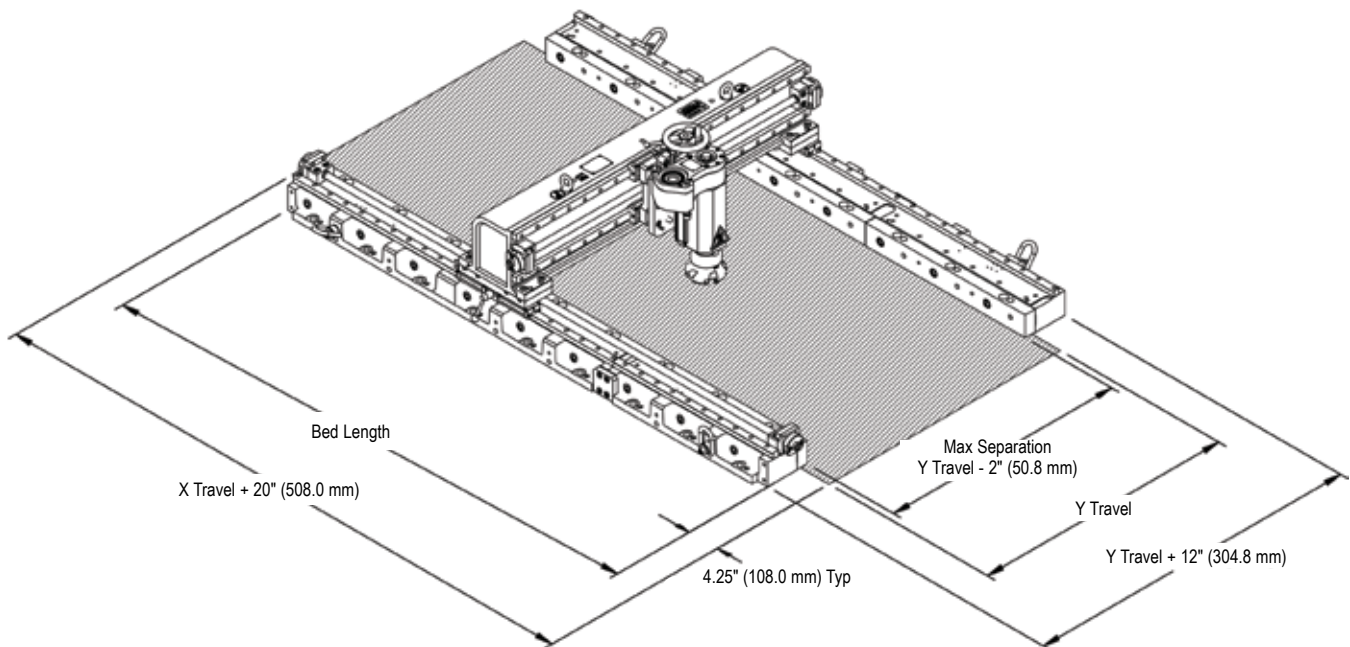
Dimensions in Inch (mm)

Milling Area Dimensions - LINEAR MILLING



** RAM at maximum recommended offset. Dimension to center of the tool

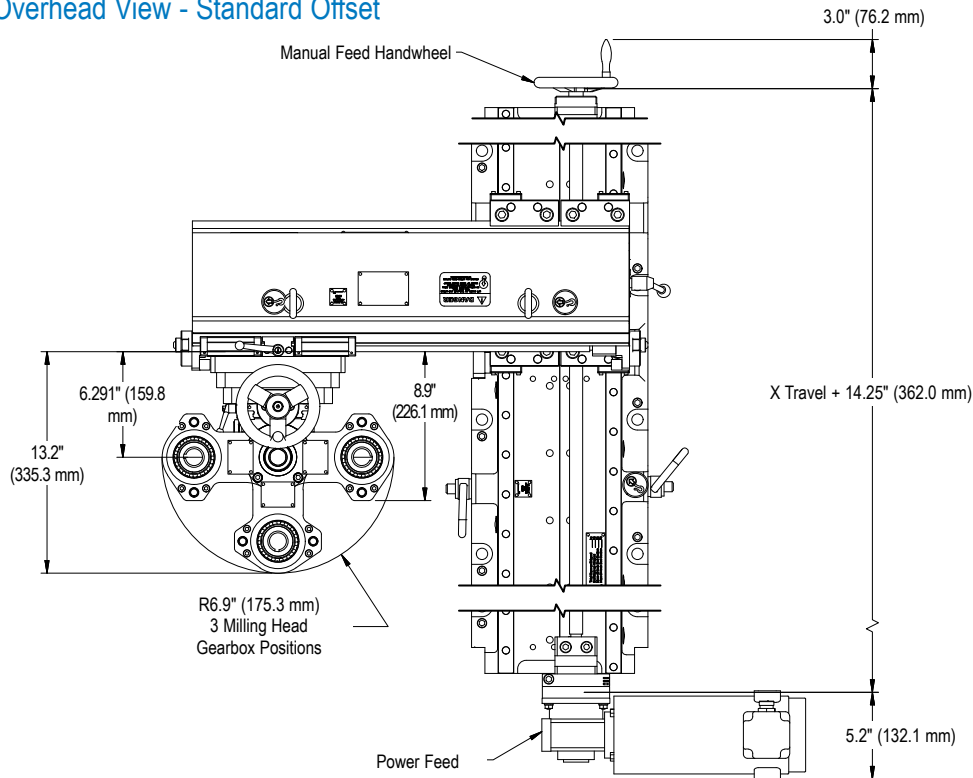
Milling Area Dimensions - GANTRY MILLING



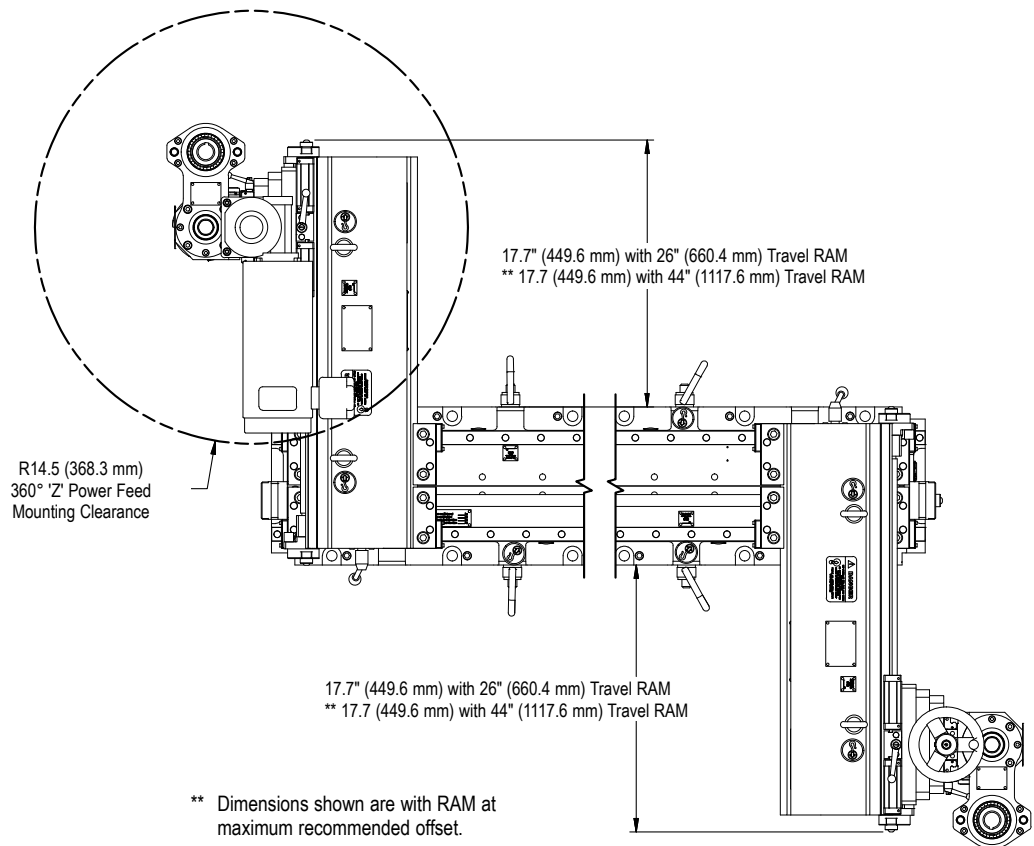
OPERATIONAL DIMENSIONS

Dimensions in Inch (mm)

Overhead View - Standard Offset



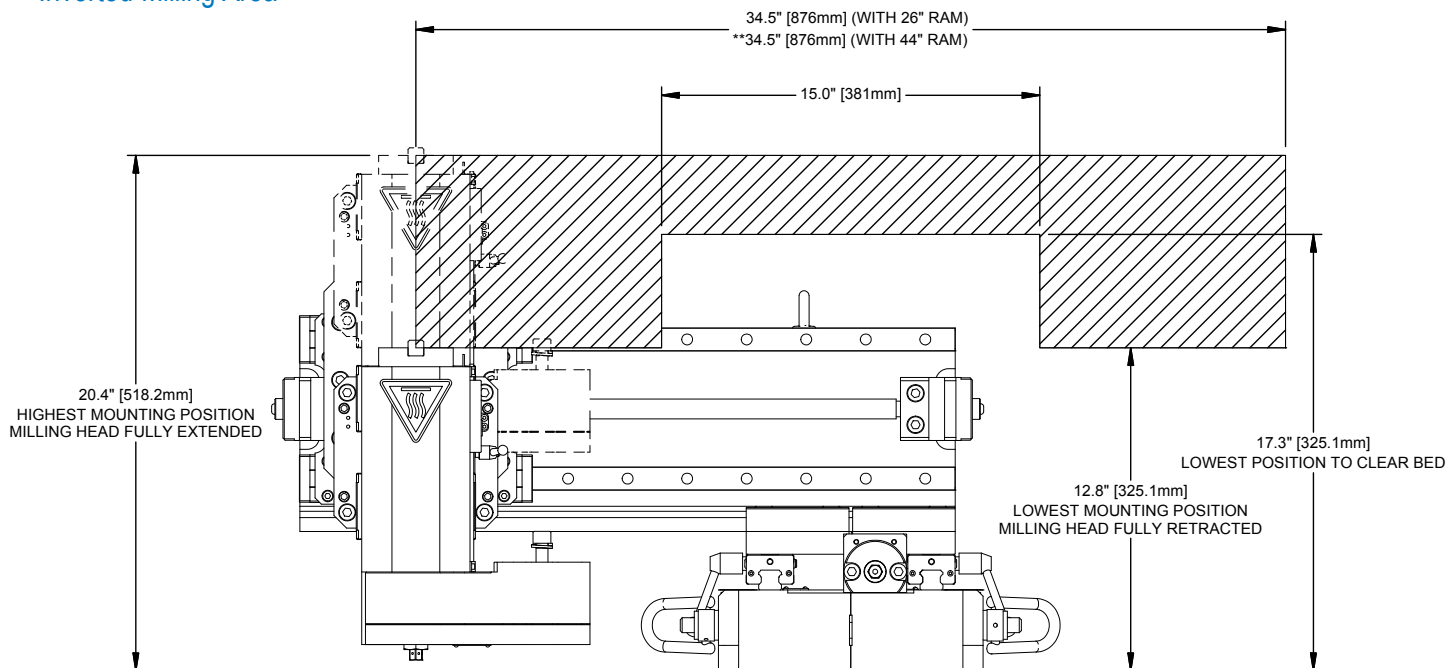
Overhead View - RAM at Maximum Recommended Offset



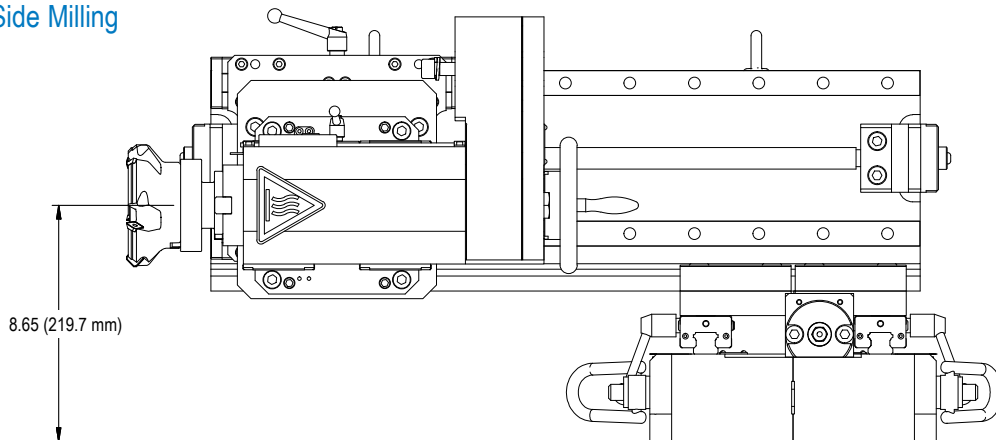
OPERATIONAL DIMENSIONS

Dimensions in Inch (mm)

Inverted Milling Area



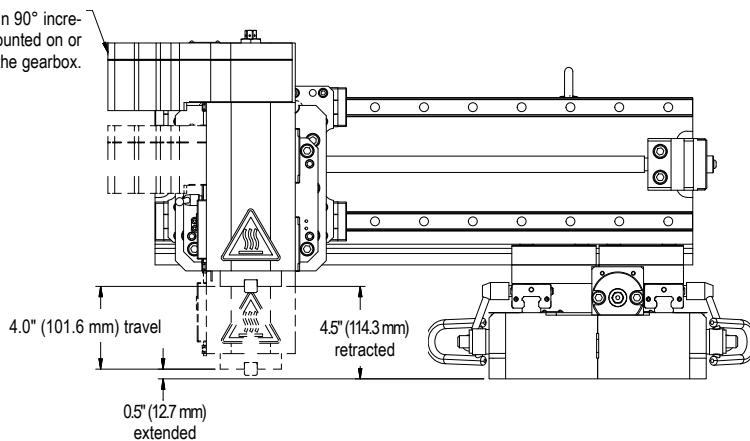
Side Milling



Example of side milling. (No vertical movement in this configuration.)

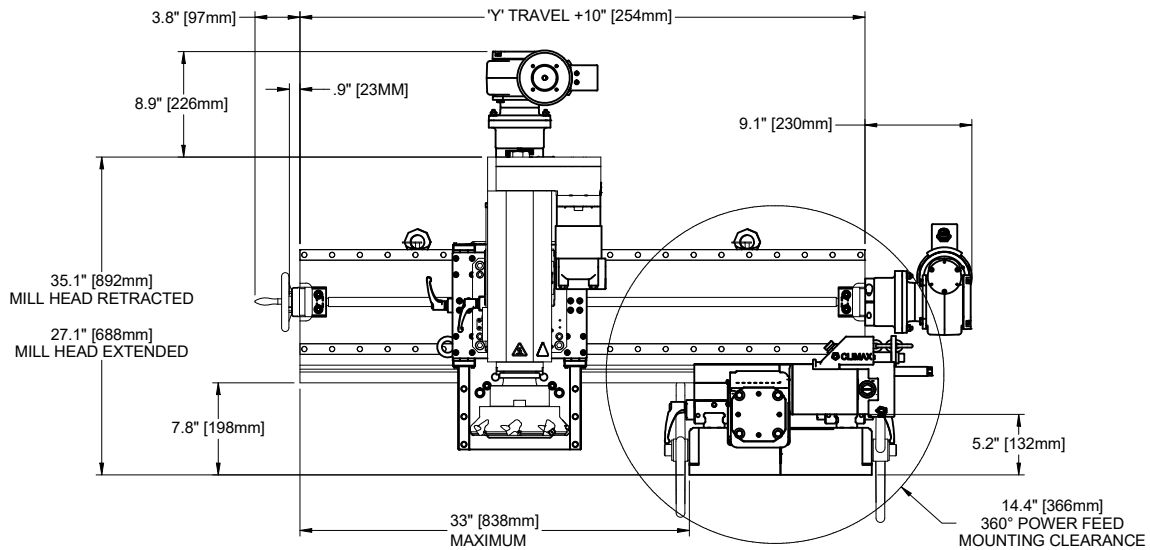
Spindle Travel

Gearbox can be rotated in 90° increments; motor may be mounted on or under the gearbox.

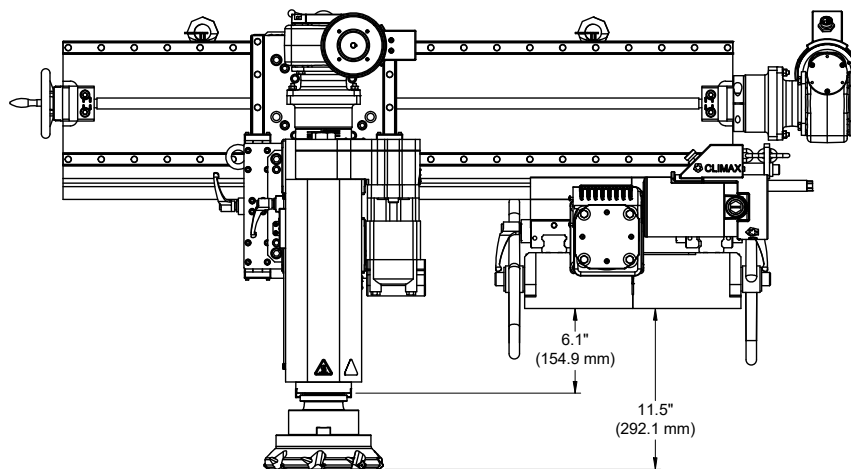


OPERATIONAL DIMENSIONS

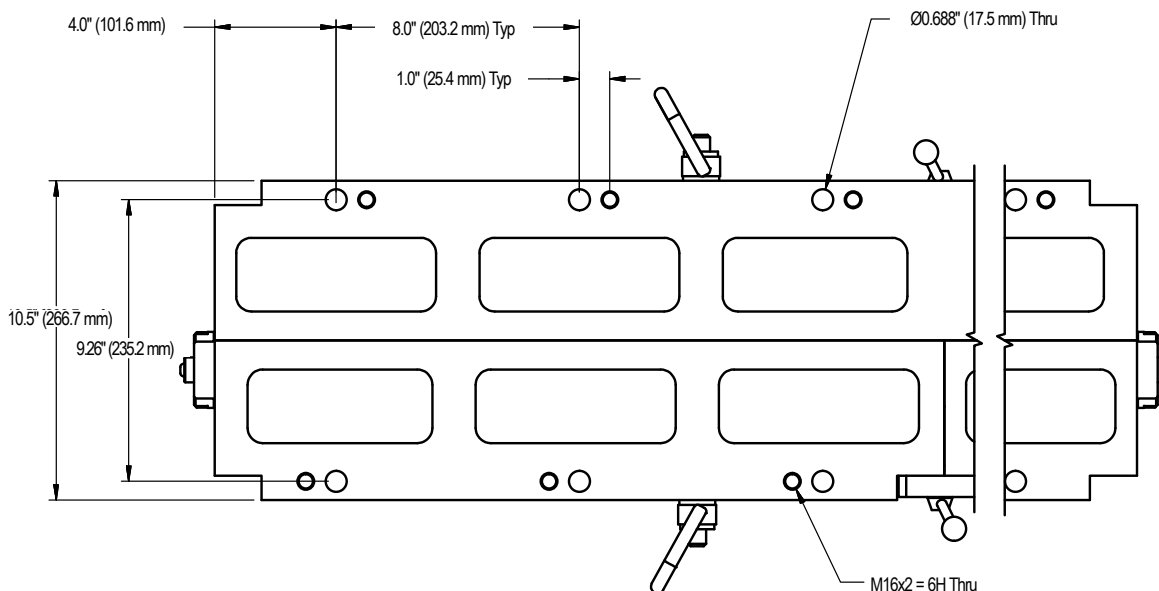
End View



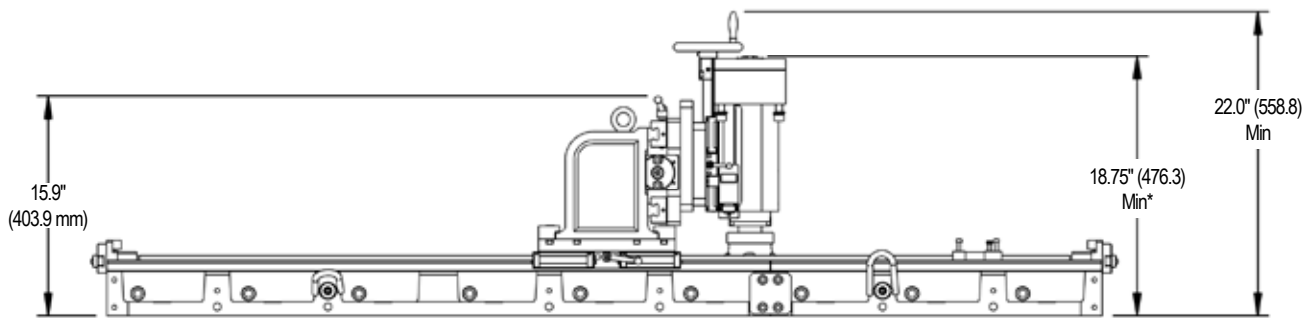
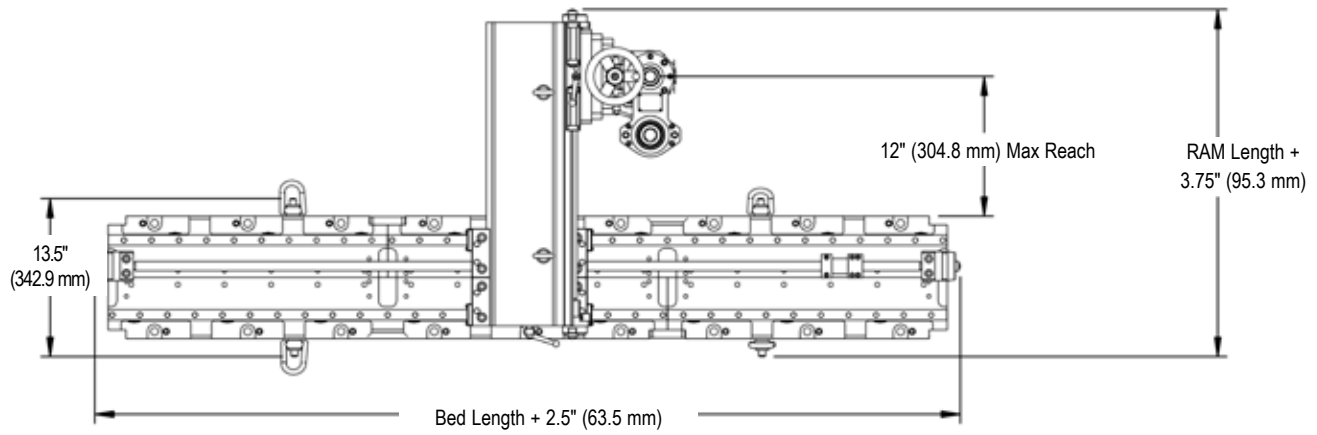
End View Milling with Z Axis



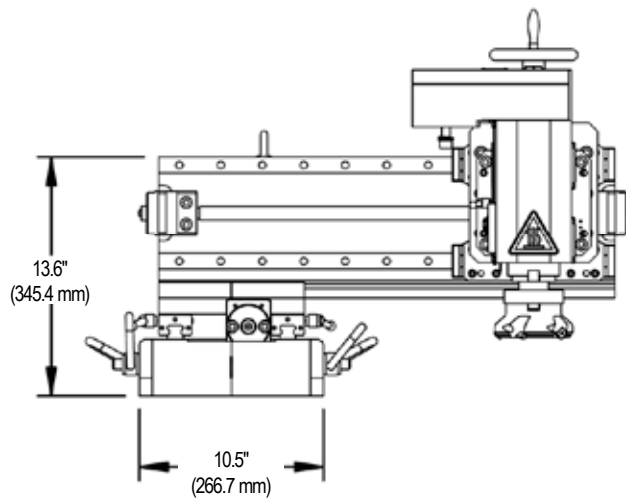
Bottom View



OPERATIONAL DIMENSIONS



* Minimum dimension to allow milling head with cutter to clear mounting surface



OEM PROFESSIONAL OPERATIONAL TRAINING



Backed by Over 50 Years of Experience

CLIMAX pioneered the concept of portable machine tools in 1964. Since that time, CLIMAX has grown to become the world's largest provider of innovative on-site machining solutions.

Professional, Experienced Instructors

All training programs are taught by experienced OEM CLIMAX trainers. Your instructor will provide valuable information on operator safety, tool set-up, mounting, and operation that will help you complete your on-site machining tasks quickly and to the highest quality standards. Part number 00042



Typical Courses Include:

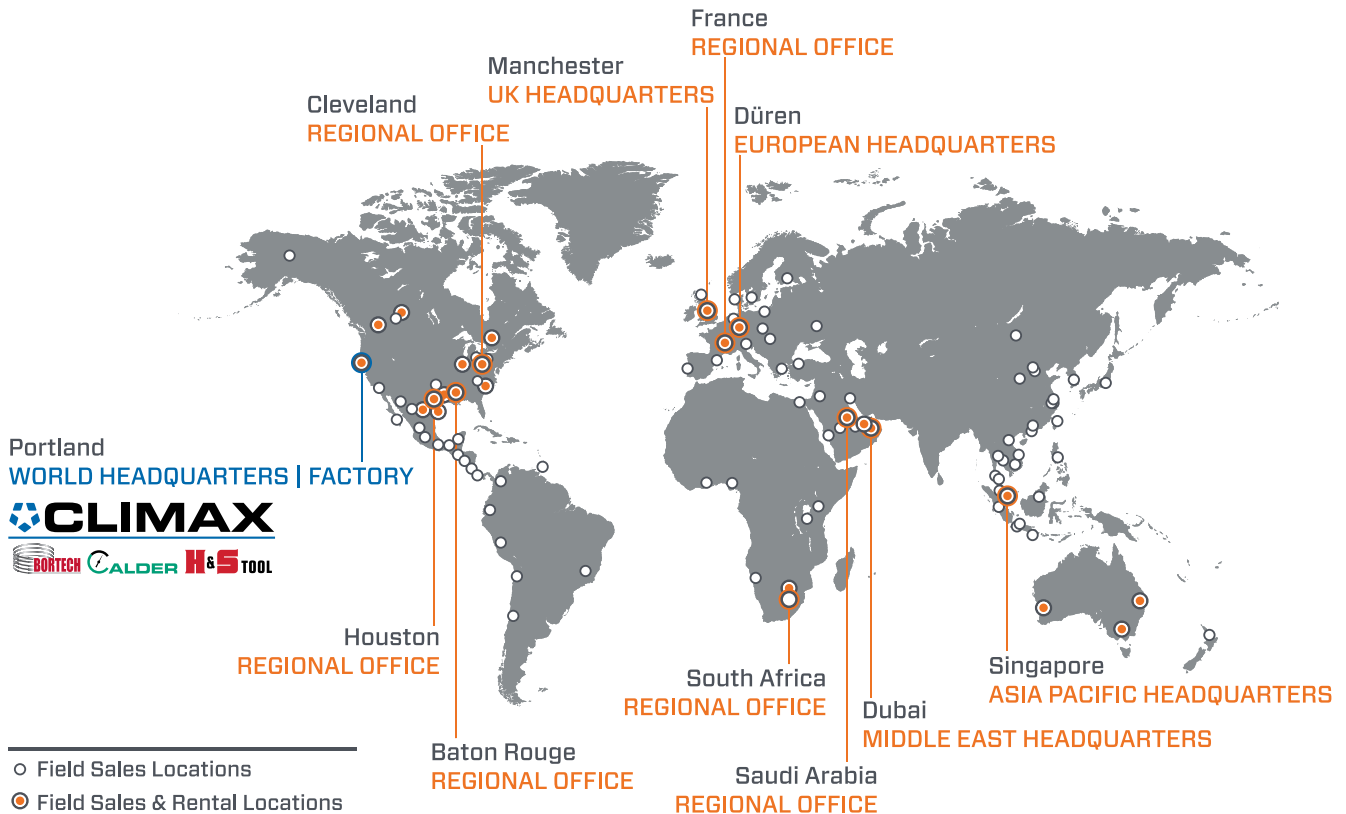
- ✓ Operator safety
- ✓ Tool component review and setup
- ✓ Standard operational techniques
- ✓ Overview of cutting tools and recommend usage
- ✓ Maintenance procedures
- ✓ A certificate of achievement - issued to each student immediately following course completion

Sign up today for training at one of our **eight** Global CLIMAX training centers.

- Portland, Oregon
- Houston, Texas
- Baton Rouge, Louisiana
- Cleveland, Ohio
- Manchester, United Kingdom
- Düren, Germany
- Dubai, United Arab Emirates
- Dammam, Saudi Arabia



CLIMAX GLOBAL LOCATIONS



Call CLIMAX for:

RENTALS

On selected models. With 20+ worldwide rental depot locations, you are never far away from CLIMAX.

OEM TRAINING

If you need training or on-site consultation, we're famous for it!

SPARES, REPAIR & MAINTENANCE

Call us for anything you need to keep your system running in top condition.

CUSTOM PROJECTS

Custom turn-key system design services from the most experienced engineers in the business!

Follow us on:



World Headquarters

Address: 2712 E. 2nd St, Newberg, Oregon 97132
Tel: +1 503 538 2185
Fax: +1 503 538 7600
Email: info@cpmt.com

Asia Pacific

Address: 10, Raeburn Park, #02-08, Singapore 088702
Tel: +65 6801 0662
Fax: +65 6801 0699
Email: ClimaxAsia@cpmt.com

European

Address: Am Langen Graben 8, 52353 Düren, Germany
Tel: (+49) (0) 2421 9177 0
Fax: (+49) (0) 2421 9177 29
Email: ClimaxEurope@cpmt.com

Middle East

Address: C9, Phase 5, Light Industrial Units, DSO, Dubai, UAE
Tel: +971 4 321 0328
Email: ClimaxUAE@cpmt.com

United Kingdom

Address: Unit 3 Martel Court, S.Park Business Park, Stockport SK1 2AF
Tel: +44 (0) 161 406 1720
Email: ClimaxUK@cpmt.com

Copyright © 2023 CLIMAX Portable Machining & Welding Systems. All Rights Reserved. CLIMAX has taken reasonable measures to ensure the accuracy of the information contained in this document. However, CLIMAX makes no warranties or representations with respect to the information contained herein; and CLIMAX shall not be held liable for damages resulting from any errors or omissions herein, or from the use of the information contained in this document.

