

ALPHA-I 4-28

The Alpha Series are available in different interchangeable drive configurations allowing you to tackle any on-site challenge.

Our unique and signature modular design also allows you to quickly and easily convert your Alpha-I series for all your orbital milling applications with our Legacy Milling unit.

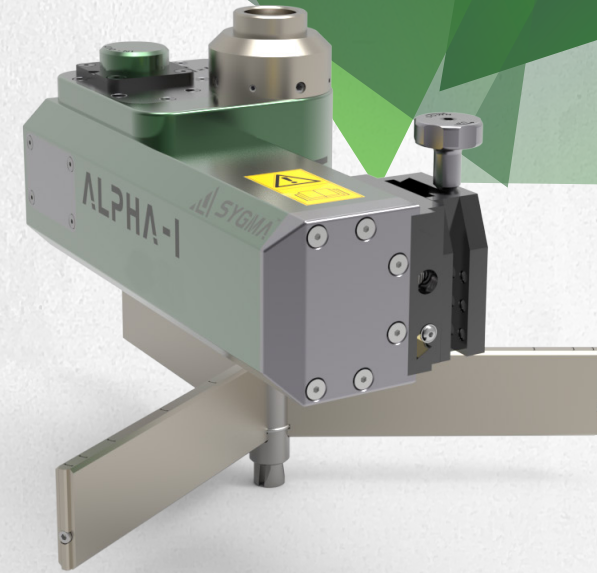
Clamping Capacity

Clamping capacity	mm	inch
Min. Clamping diameter	Ø 101.6	Ø 4
Max. Clamping diameter	Ø 710.5	Ø 28

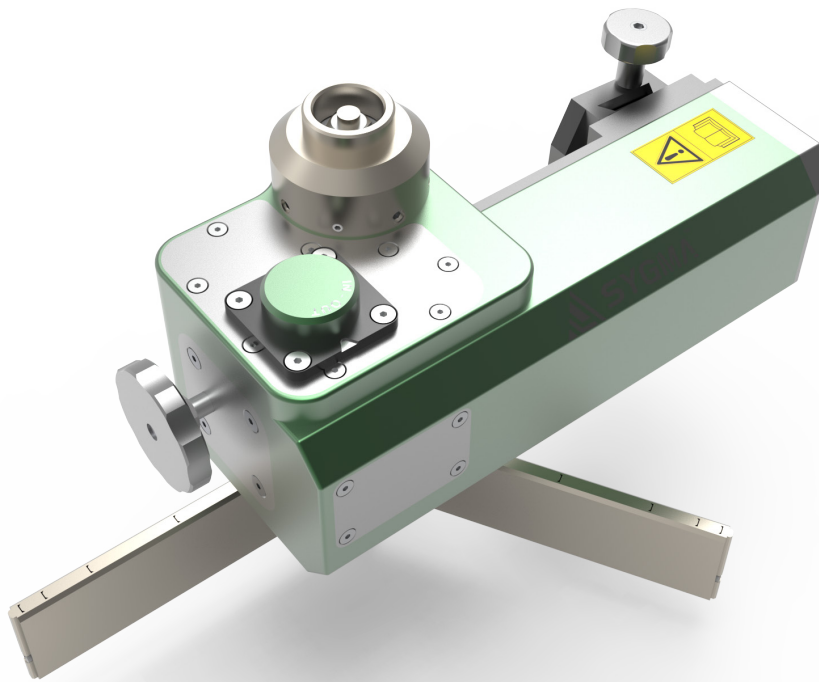
Machining Capacity

Machining capacity	mm	inch
Min. machining diameter	Ø 101.6	Ø 4*
Max. machining diameter	Ø 710.5	Ø 28*

* Based on right cutting tool



More pictures
coming soon



Key Features

- ⦿ Easy setup & operation (plug & play)
- ⦿ Multiple Motorization
- ⦿ Customisable options
- ⦿ Integrated motor
- ⦿ integrated gearbox
- ⦿ Multiple surface finishes

Completed With:

- ⦿ Toolkit
- ⦿ Hoist Equipment
- ⦿ Case
- ⦿ CE Certificate
- ⦿ Air Caddy
- ⦿ Manual

Dimentional Info

Case Dimension

Coming soon

Pneumatic motor supply

1100W / 1.5 PK

Pneumatic Power supply

1600 l/ m

Overall height Machine

400 mm

